



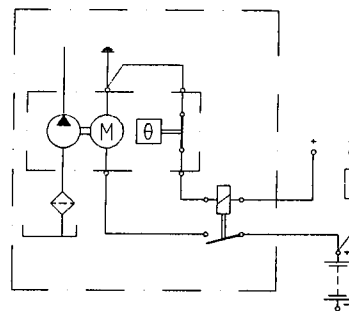
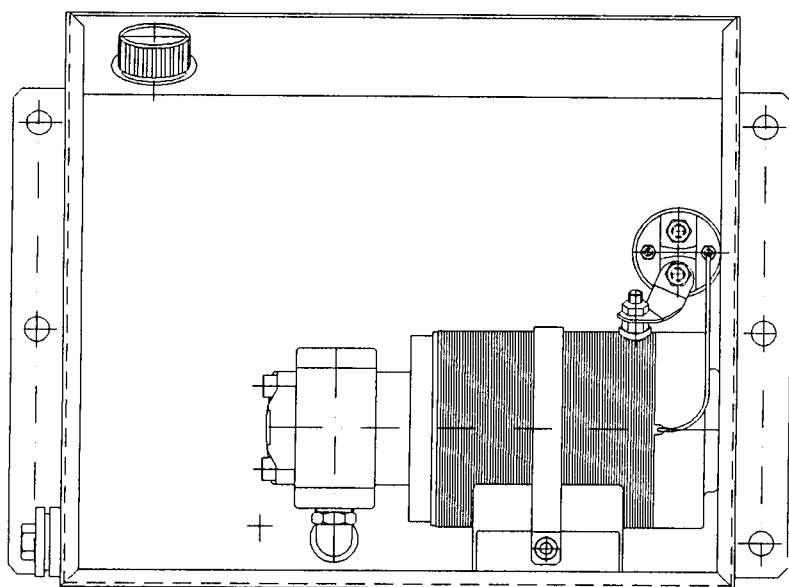
CLASSIC

**POWER PACKS
(Hesselman)**



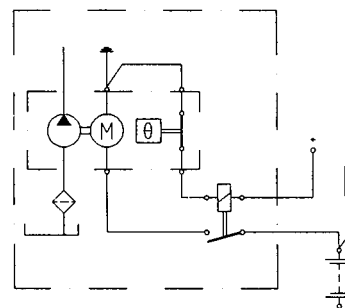
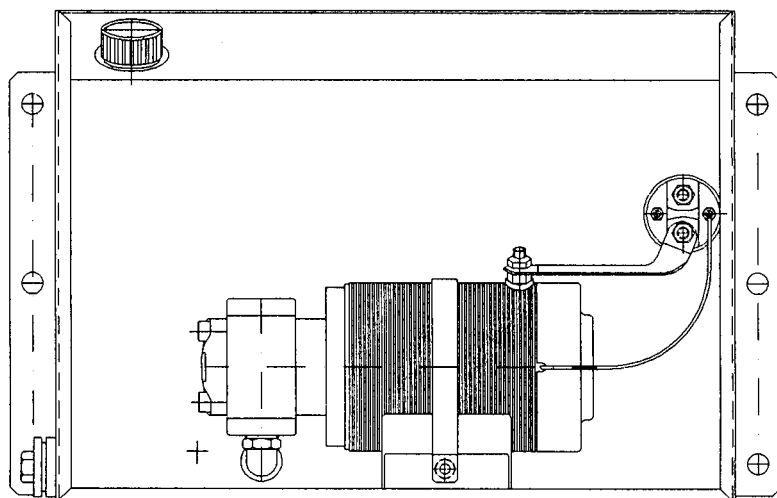
Reservdelstlista hydraulaggregat / Spare part list hydraulic units

Benämning	Denomination	Beställningsnr Description	Antal 12HY085T	/ Number 24HY085T
Pumpaggregat	Pump motor unit		1	-
"	"		-	1
Solenoid	Solenoid		1	-
"	"		-	1
"	"		-	1
Kontaktfläta	Connection cable		2	2
Tank	Reservoir		1	1
Dräneringsplugg	Drain plug		1	1
Slangförbindning	Suction hose		1	1
Sugvinkel	Elbow		1	1
Luftfilter	Breather		1	1
Spännband	Strap		1	1
Slangklämma	Clamp		2	-
"	"		-	2
Genomföring	Rubber bushing		4	4
Täckplugg	Rubber plug		6	6
Skruv	Screw		2	2
Bricka	Washer		1	1
Mutter	Nut		2	2
Motorvagga	Frame		1	1
Skruv	Screw		4	4
Fjäderbricka	Spring washer		4	4
Mutter	Nut		4	4



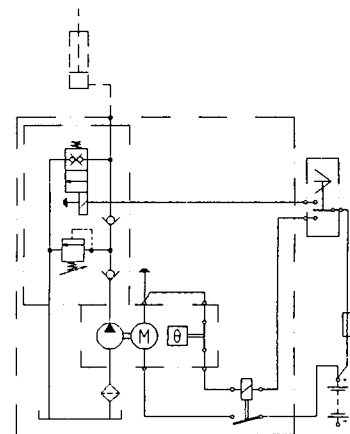
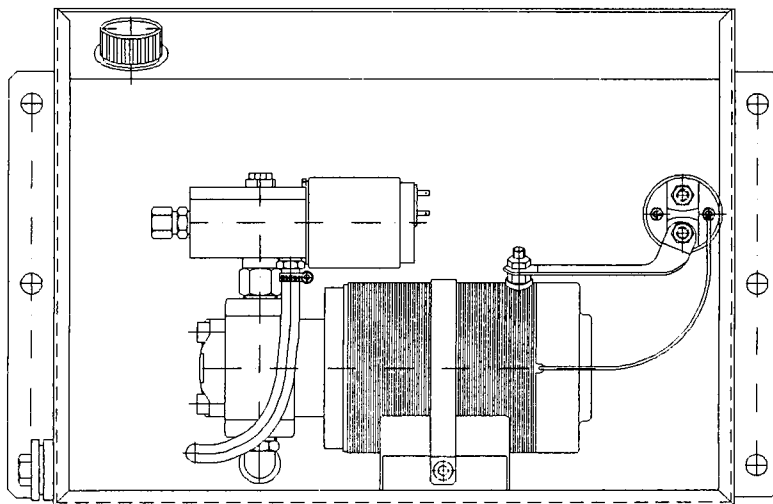
Reservdelstlista hydraulaggregat / Spare part list hydraulic units

Benämning	Denomination	Beställningsnr Description	Antal / 12HY086T	Number 24HY086T
Pumpaggregat	Pump motor unit		1	-
"	"		-	1
Solenoid	Solenoid		1	-
"	"		-	1
Kontaktfläta	Connection cable		1	1
Tank	Reservoir		1	1
Dräneringsplugg	Drain plug		1	1
Sugvinkel	Elbow		1	1
Luftfilter	Breather		1	1
Spännband	Strap		1	1
Slangförbindning	Suction hose		1	1
Slangklämma	Clamp		2	2
Genomföring	Rubber bushing		4	4
Täckplugg	Rubber plug		6	6
Skruv	Screw		2	2
Mutter	Nut		2	2
Motorvagga	Frame		1	1
Mutter	Nut		4	4
Skruv	Screw		4	4
Fjäderbricka	Spring washer		4	4



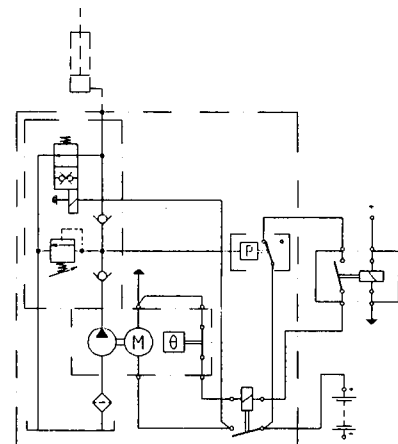
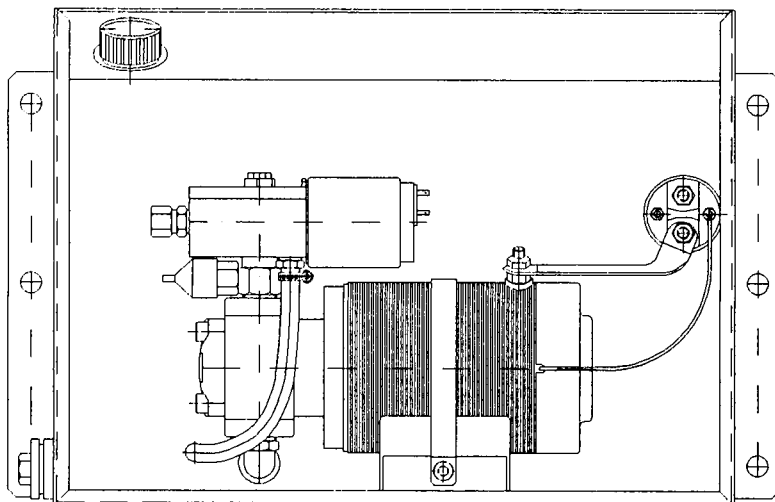
Reservdelslista hydraulaggregat / Spare part list hydraulic units

Benämning	Denomination	Beställningsnr Description	Antal / 12HY014T	Number 24HY014T
Pumpaggregat	Pump motor unit	12MB11TP	1	-
"	"	24MB21TP	-	1
Magnetventil	Solenoid valve	12EM10VE21AH	1	-
"	"	24EM10VE21AH	-	1
Solenoid	Solenoid	CEY113-12V	1	-
"	"	CEZ113-24V	-	1
Kontaktfläta	Connection cable	624KTS1	1	1
Tank	Reservoir	315TNK2A	1	1
Dräneringsplugg	Drain plug	17600	1	1
Sugvinkel	Elbow	535RA	1	1
Luftfilter	Breather	23400	1	1
Spännband	Strap	SP116/21SK	1	1
Slangförbindning	Hose connection	510RR	1	1
"	"	509RR	1	1
Motorvagg	Frame	48000	1	1
Slangklämma	Clamp	AWAB 19 - 28	2	2
"	"	AWAB 11 - 17	2	2
Genomföring	Rubber bushing	528JH	3	3
Täckplugg	Rubber plug	527JH	3	3
Skruv	Screw	M6S 5 x 10	2	2
Mutter	Nut	M6M5	2	2
Skruv	Screw	M6S6 6 x 12	4	4
Fjäderbricka	Spring washer	FBB 6,1	4	4
Mutter	Nut	M6M6	4	4



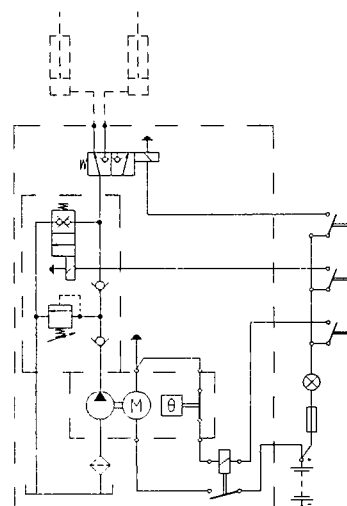
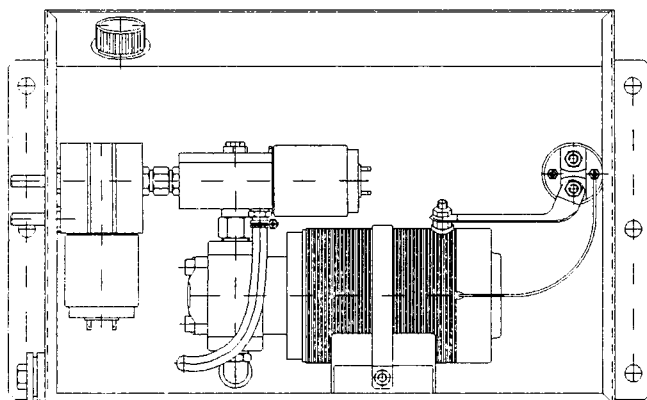
Reservdelstlista hydraulaggregat / Spare part list hydraulic units

Benämning	Denomination	Beställningsnr Description	Antal / Number 24HY083T
Pumpaggregat	Pump motor unit	24MB21TP	1
Magnetventil	Solenoid valve	24EM10VE80H	1
Tryckvakt	Pressure switch	KT2A-...	1
Solenoid	Solenoid	CEZ113-24V	1
Kontaktfläta	Connection cable	624KTS1	1
Tank	Reservoir	315TNK2A	1
Motorvagg	Frame	48000	1
Sugvinkel	Elbow	535RA	1
Luftfilter	Breather	23400	1
Spännband	Strap	SP116/21SK	1
Slangförbindning	Hose connection	510RR	1
"	"	509RR	1
Slangklämma	Clamp	AWAB 19 - 28	2
"	"	AWAB 11 - 17	2
Genomföring	Rubber bushing	528JH	3
Täckplugg	Rubber plug	527JH	3
Skruv	Screw	M6S 5 x 10	2
Mutter	Nut	M6M5	2
Kontaktledning	Connection cable	749KTS3	1
Kabelsko	Cable shoe	A-1585-R	2
Mutter	Nut	M6M6	4
Skruv	Screw	M6S 6 x 2	4
Fjäderbricka	Spring washer	FBB 6,1	4



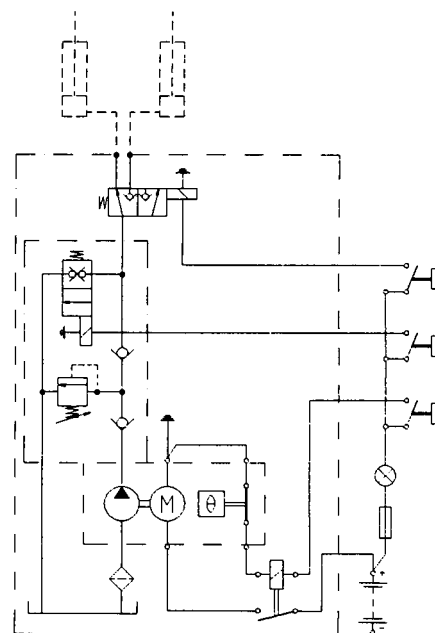
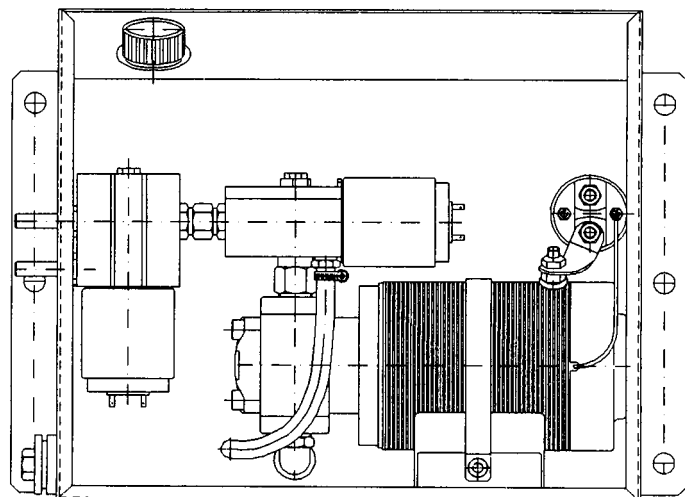
Reservdelistsa hydraulaggregat / Spare part list hydraulic units

Benämning	Denomination	Beställningsnr Description	Antal / Number					
			12HY032T	24HY032T	12HY032TS	24HY032TS	24HY032TD	24HY032TSL
Pumpaggregat	Pump motor unit		1	-	1	-	-	-
"	"		-	1	-	1	1	-
"	"		-	-	-	-	-	1
Magnetventil	Solenoid valve		1	-	1	-	-	-
"	"		-	1	-	1	1	1
"	"		1	-	1	-	-	-
"	"		-	1	-	1	1	1
Solenoid	Solenoid		1	-	1	-	-	-
"	"		-	1	-	1	1	1
Kontaktfläta	Connection cable		1	1	-	-	1	-
"	"		-	-	1	1	-	2
Tank	Reservoir		1	1	-	-	1	-
"	"		-	-	1	1	-	1
Dräneringsplugg	Drain plug		1	1	1	1	1	1
Sugvinkel	Elbow		1	1	1	1	1	1
Luftfilter	Breather		1	1	1	1	1	1
Spännband	Strap		1	1	1	1	1	1
Slangförbindning	Hose connection		1	1	1	1	1	1
"	"		1	1	1	1	1	1
Slangklämma	Clamp		2	2	2	2	2	2
"	"		2	2	2	2	2	2
Genomföring	Rubber bushing		4	4	4	4	4	4
"	"		-	-	1	1	1	1
Täckplugg	Rubber plug		6	6	6	6	6	6
Skruv	Screw		2	2	2	2	2	2
Mutter	Nut		2	2	2	2	2	2
Motorvagg	Frame		1	1	1	1	1	1
"	"		-	-	-	-	-	1
Skruv	Screw		4	4	4	4	4	8
Fjäderbricka	Spring washer		4	4	4	4	4	-
Mutter	Nut		4	4	4	4	4	8
Relä 24V	Relay		-	-	-	-	1	-
Kontaktledning	Connection cable		-	-	-	-	1	-
"	"		-	-	-	-	1	-
Relähållare	Relay holder		-	-	-	-	1	-
Relähus	Relay house		-	-	-	-	1	-
Kontaktledning	Connection cable		-	-	-	-	-	1
Vibrationsdämpare	Vibration damper		-	-	-	-	-	4
Ljudisolering	Sound insulation		-	-	-	-	-	1
"	"		-	-	-	-	-	1
Anslutning	Connection		-	-	-	-	-	1



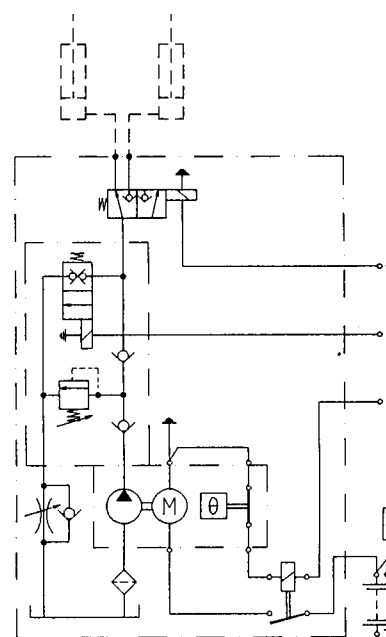
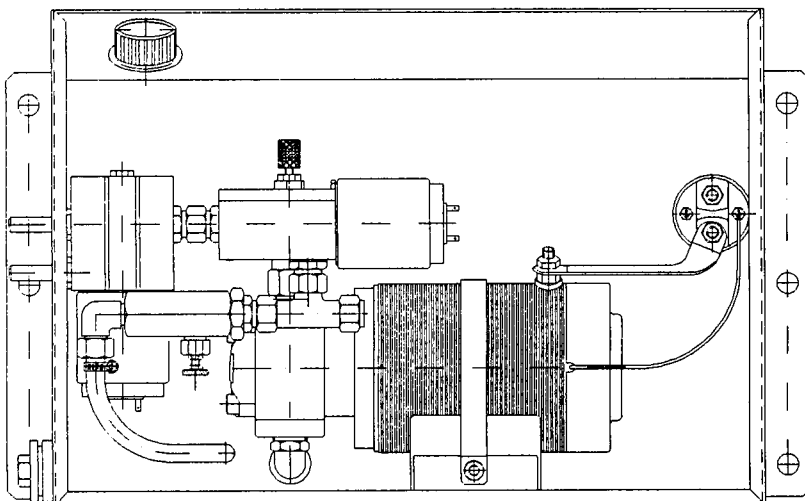
Reservdelstlista hydraulaggregat / Spare part list hydraulic units

Benämning	Denomination	Beställningsnr Description	Antal / Number				
			12HY033TM	24HY033TM	12HY033TO	24HY033TO	24HY033TML
Pumpaggregat	Pump motor unit		1	-	1	-	-
"	"		-	1	-	1	1
Magnetventil	Solenoid valve		1	-	1	-	-
"	"		-	1	-	1	1
"	"		1	-	1	-	-
"	"		-	1	-	1	1
Solenoid	Solenoid		1	-	1	-	-
"	"		-	1	-	1	1
Kontaktfläta	Connection cable		2	2	-	-	3
"	"		-	-	2	2	-
Tank	Reservoir		1	1	-	-	1
"	"		-	-	1	1	-
Dräneringsplugg	Drain plug		1	1	1	1	1
Motorvagga	Frame		1	1	1	1	-
"	"		-	-	-	-	1
Slangförbindning	Hose connection		1	1	1	1	1
"	"		1	1	1	1	1
Sugvinkel	Elbow		1	1	1	1	1
Luftfilter	Breather		1	1	1	1	1
Spännband	Strap		1	1	1	1	1
Slangklämma	Clamp		2	2	2	2	2
"	"		2	2	2	2	2
Genomföring	Rubber bushing		1	1	-	-	1
"	"		4	4	4	4	4
Täckplugg	Rubber plug		6	6	6	6	6
Skruv	Screw		4	4	4	4	-
"	"		2	2	2	2	2
Mutter	Nut		4	4	4	4	8
"	"		2	2	2	2	2
Bricka	Washer		1	1	1	1	1
Fjäderbricka	Spring washer		4	4	4	4	8
Vibrationsdämpare	Vibration damper		-	-	-	-	4
Ljudisolering	Sound insulation		-	-	-	-	1
"	"		-	-	-	-	1



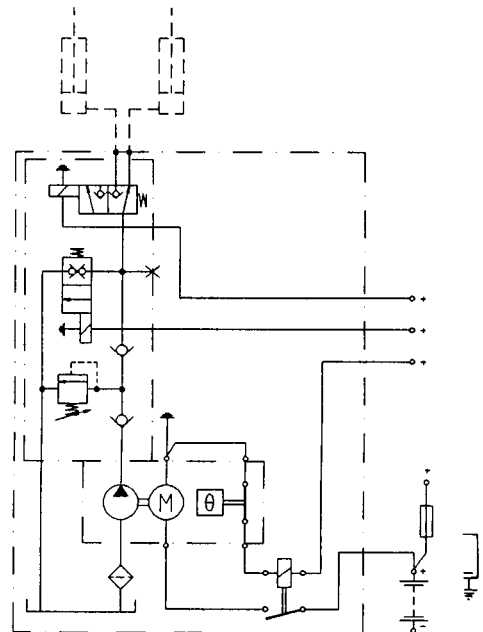
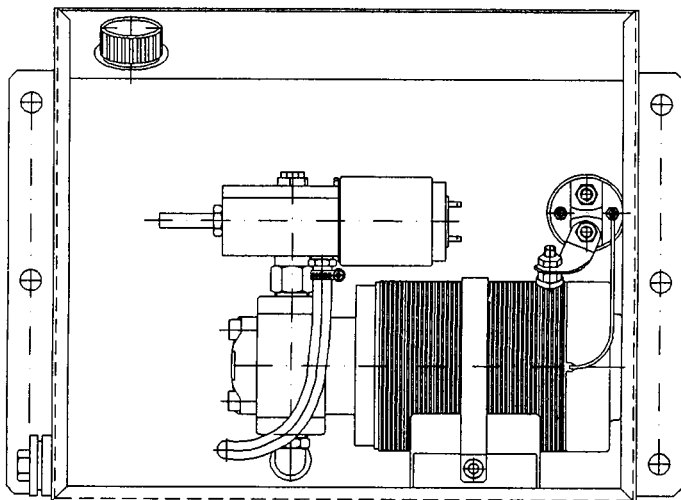
Reservdelslista hydraulaggregat / Spare part list hydraulic units

Benämning	Denomination	Beställningsnr Description	Antal / Number	
			12HY139TC	24HY139TC
Pumpaggregat	Pump motor unit		1	-
"	"		-	1
Magnetventil	Solenoid valve		1	-
"	"		-	1
"	"		1	-
"	"		-	1
Solenoid	Solenoid		1	-
"	"		-	1
Kontaktfläta	Connection cable		1	1
Tank	Reservoir		1	1
Sugvinkel	Elbow		1	1
Lufffilter	Breather		1	1
Spännband	Strap		1	1
Slangförbindning	Hose connection		1	1
"	"		1	1
Slangklämma	Clamp		2	2
"	"		2	2
Genomföring	Rubber bushing		1	1
"	"		4	4
Täckplugg	Rubber plug		6	6
Skruv	Screw		2	2
Mutter	Nut		2	2
Ventil	Valve		1	1
T-koppling	T-coupling		1	1
Plugg	Plug		1	1
Dräneringsplugg	Drain plug		1	1
Minitest M8x1	Minitest M8x1		1	1
Rak studs	Straight bump		1	1
Gummistålbricka	Rubber steel plate		1	1
Vinkelkoppling	Elbow coupling		1	1
	Straight pressure			
Rakt tryckrör	Tube		1	1
Motorvagga	Frame		1	1
Skruv	Screw		4	4
Fjäderbricka	Spring washer		4	4
Mutter	Nut		4	4



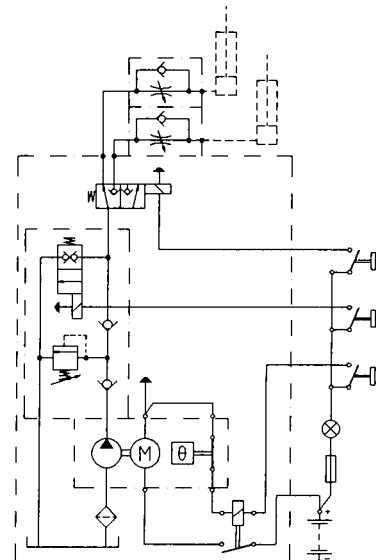
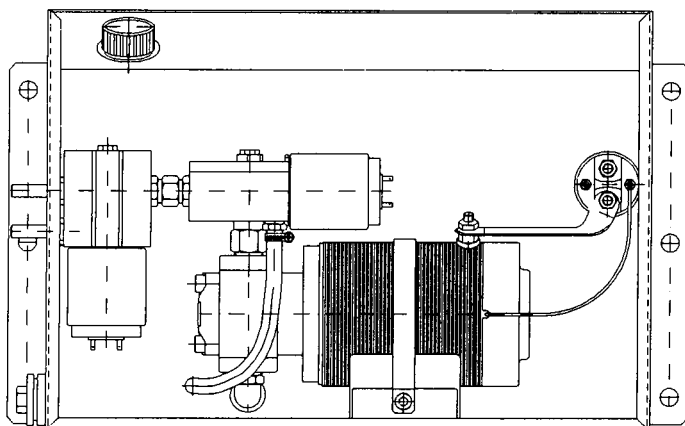
Reservdelista hydraulaggregat / Spare part list hydraulic units

Benämning	Denomination	Beställningsnr Description	Antal / Number	
			12HY145TA	24HY145TA
Pumpaggregat	Pump motor unit		1	-
"	"		-	1
Magnetventil	Solenoid valve		1	-
"	"		-	1
Solenoid	Solenoid		1	-
"	"		-	1
Kontaktfläta	Connection cable		2	2
Tank	Reservoir		1	1
Luftfilter	Breather		1	1
Sugvinkel	Elbow		1	1
Motorvagg	Frame		1	1
Spännband	Strap		1	1
Slangförbindning	Hose connection		1	1
Dräneringsplugg	Drain plug		1	1
Slangförbindning	Suction hose		1	1
Slangklämma	Clamp		2	2
"	"		2	2
Rak studs	Straight bump		2	2
Adapter	Adapter		2	2
Genomföring	Rubber bushing		4	4
Täckplugg	Rubber plug		6	6
Genomföring	Rubber bushing		1	1
Gummistålbricka	Rubber steel plate		6	6
Skruv	Screw		2	2
"	"		4	4
Mutter	Nut		4	4
Tandbricka	Toothed plate connector		4	4
Mutter	Nut		2	2
Bricka	Washer		1	1
Minitest M8x1	Minitest M8x1		1	1



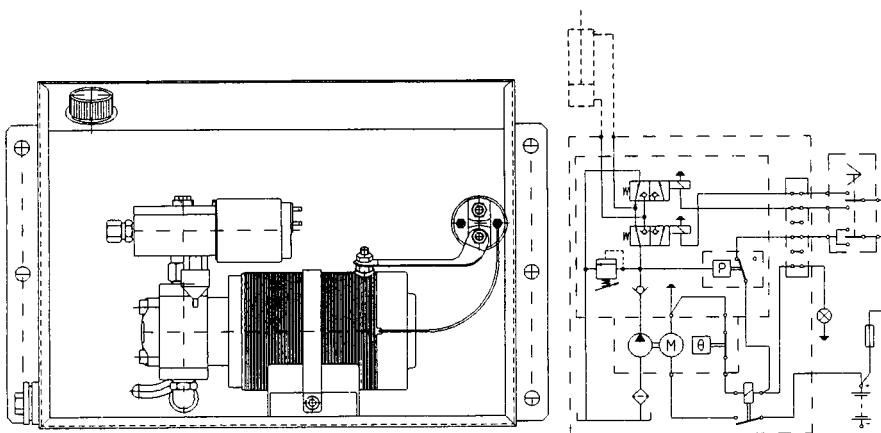
Reservdelistsa hydraulaggregat / Spare part list hydraulic units

Benämning	Denomination	Beställningen Description	Antal / Number		
			12HY145TLA	24HY145TLA	24HY145TC
Pumpaggregat	Pump motor unit		1	-	-
"	"		-	1	1
Magnetventil	Solenoid valve		1	-	-
"	"		-	1	1
"	"		1	-	-
"	"		-	1	1
Ventil	Valve		2	2	2
Solenoid	Solenoid		1	-	-
"	"		-	1	1
Kontaktfläta	Connection cable		2	2	2
Tank	Reservoir		1	1	1
Motorvagga	Frame		1	1	1
Sugvinkel	Elbow		1	1	1
Luftfilter	Breather		1	1	1
Spännband	Strap		1	1	1
Slangförbindning	Suction hose		1	1	1
Dräneringsplugg	Drain plug		1	1	1
Slangförbindning	Suction hose		1	1	1
Slangklämma	Clamp		2	2	2
"	"		2	2	2
Vinkelkoppling	Elbow coupling		2	2	2
Rörkoppling	Pipe coupling		1	1	1
Rak studs	Straight bump		2	1	2
Genomföring	Rubber bushing		4	4	4
Vibrationsdämpare	Vibration damper		4	4	-
"	"		-	-	4
Täckplugg	Rubber plug		6	6	6
Gummistålbricka	Rubber steel plate		3	3	3
Genomföring	Rubber bushing		1	1	1
Skruv	Screw		2	2	2
Mutter	Nut		2	2	2
"	"		8	8	8
Fjäderbricka	Spring washer		8	8	8
"	"		1	1	1
Minitest M8x1	Minitest M8x1		1	1	1
Ljudisolering	Sound insulation		1	1	-
"	"		1	1	-
Anslutning	Connection		1	1	-



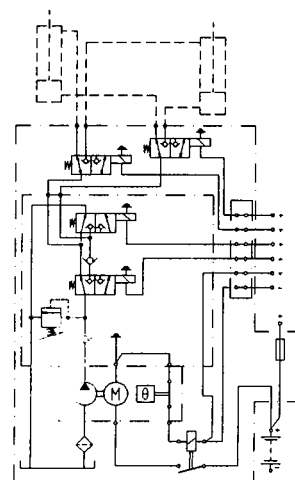
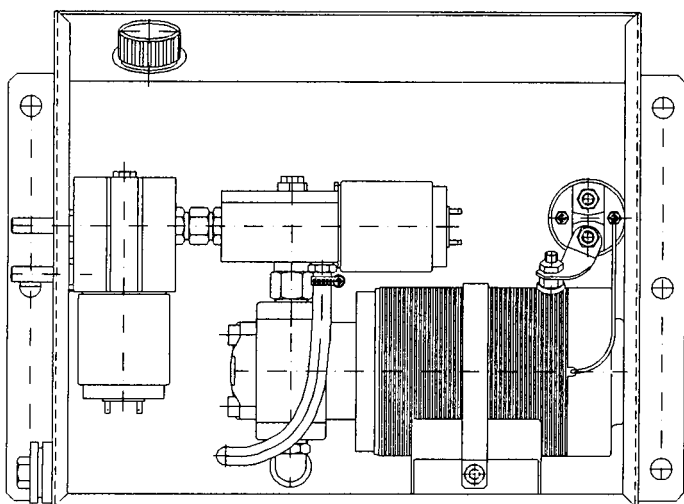
Reservdelista hydraulaggregat / Spare part list hydraulic units

Benämning	Denomination	Beställningsnr Description	Antal / Number		
			12HY030T	24HY030T	24HY133TA
Pumpaggregat	Pump motor unit		1	-	-
"	"		-	1	-
"	"		-	-	1
Magnetventil	Solenoid valve		1	-	-
"	"		-	1	-
Tryckvakt	Pressure switch		1	1	1
Solenoid	Solenoid		1	-	-
"	"		-	1	1
Kontaktfläta	Connection cable		1	1	1
Tank	Reservoir		1	1	-
"	"		-	-	1
Dräneringsplugg	Drain plug		1	1	1
Sugvinkel	Elbow		1	1	1
Luftfilter	Breather		1	1	1
Spännband	Strap		1	1	1
Slangförbindning	Hose connection		1	1	1
"	"		1	1	1
Slangklämma	Clamp		2	2	2
"	"		2	2	2
Kopplingsplint	Terminal block		1	1	1
Genomföring	Rubber bushing		4	4	4
Täckplugg	Rubber plug		6	6	6
Rörkoppling	Pipe coupling		2	2	2
Gummistålbricka	Rubber steel plate		2	2	2
Skruv	Screw		2	2	2
"	"		2	2	2
Mutter	Nut		2	2	2
"	"		2	2	2
Bricka	Washer		2	2	-
Kontaktledning	Connection cable		2	2	2
"	"		1	1	1
"	"		-	-	2
"	"		-	-	1
"	"		-	-	1
Kabelsko	Cable shoe		1	1	-
Flatstift	Flat pin		1	1	1
Motorvagga	Frame		1	1	1
Skruv	Screw		4	4	4
Fjäderbricka	Spring washer		4	4	4
Mutter	Nut		4	4	4
Diodkoppling	Diod coupling		-	-	2
Säkring 8A	Fuse 8A		-	-	1
Säkringshållare	Fuse holder		-	-	1



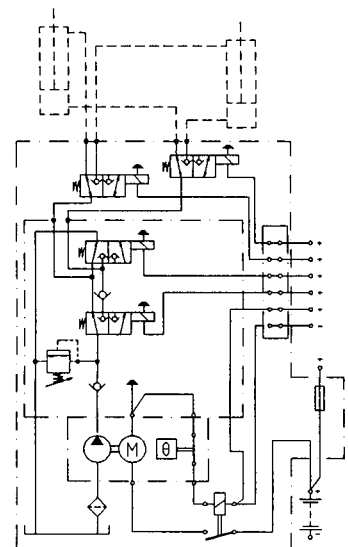
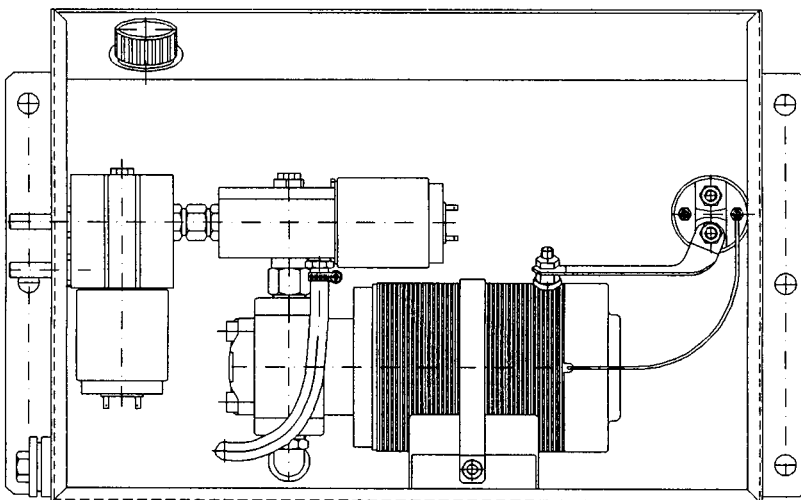
Reservdelslista hydraulaggregat / Spare part list hydraulic units

Benämning	Denomination	Beställningsnr Description	Antal / Number	
			12HY051TJ	24HY051TJ
Pumpaggregat	Pump motor unit		1	-
"	"		-	1
Magnetventil	Solenoid valve		1	-
"	"		-	1
"	"		2	-
"	"		-	2
Solenoid	Solenoid		1	-
"	"		-	1
Kontaktfläta	Connection cable		2	2
Tank	Reservoir		1	1
Dräneringsplugg	Drain plug		1	1
Slangförbindning	Hose connection		1	1
"	"		1	1
Sugvinkel	Elbow		1	1
Luftfilter	Breather		1	1
Spännband	Strap		1	1
Rak koppling	Pipe coupling		2	2
Slangklämma	Clamp		2	2
"	"		2	2
Genomföring	Rubber bushing		5	5
Täckplugg	Rubber plug		5	5
Skruv	Screw		2	2
Mutter	Nut		2	2
Bricka	Washer		1	1
Fjäderbricka	Spring washer		1	1
Gummistålbricka	Rubber steel plate		2	2
Motorvagg	Frame		1	1
Skruv	Screw		4	4
Fjäderbricka	Spring washer		4	4
Mutter	Nut		4	4



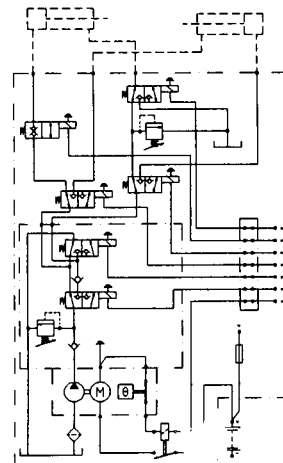
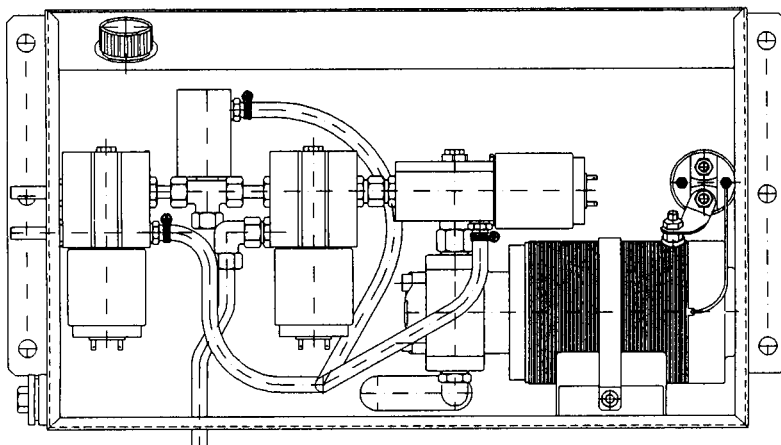
Reservdelstlista hydraulaggregat / Spare part list hydraulic units

Benämning	Denomination	Bestämningen Description	Antal / Number			
			12HY059TJ	24HY059TJ	12HY059TX	24HY059TX
Pumpaggregat	Pump motor unit		1	-	1	-
"	"		-	1	-	1
Magnetventil	Solenoid valve		1	-	1	-
"	"		-	1	-	1
"	"		2	-	2	-
"	"		-	2	-	2
Solenoid	Solenoid		1	-	1	-
"	"		-	1	-	1
Kontaktfläta	Connection cable		1	1	-	-
"	"		-	-	1	1
Tank	Reservoir		1	1	-	-
"	"		-	-	1	1
Sugvinkel	Elbow		1	1	1	1
Luftfilter	Breather		1	1	1	1
Spännband	Strap		1	1	1	1
Slangförbindning	Hose connection		1	1	1	1
"	"		1	1	1	1
Slangklämma	Clamp		2	2	2	2
"	"		2	2	2	2
Rak koppling	Pipe coupling		2	2	2	2
Genomföring	Rubber bushing		6	6	6	6
Täckplugg	Rubber plug		4	4	4	4
Genomföring	Rubber bushing		-	-	1	1
Skruv	Screw		2	2	2	2
Mutter	Nut		2	2	2	2
Gummistålbricka	Rubber steel plate		2	2	2	2
Motorvagga	Frame		1	1	1	1
Skruv	Screw		4	4	4	4
Fjäderbricka	Spring washer		4	4	4	4
Mutter	Nut		4	4	4	4
Dräneringsplugg	Drain plug		1	1	1	1



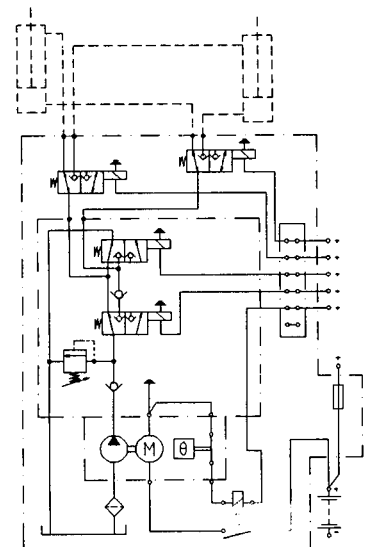
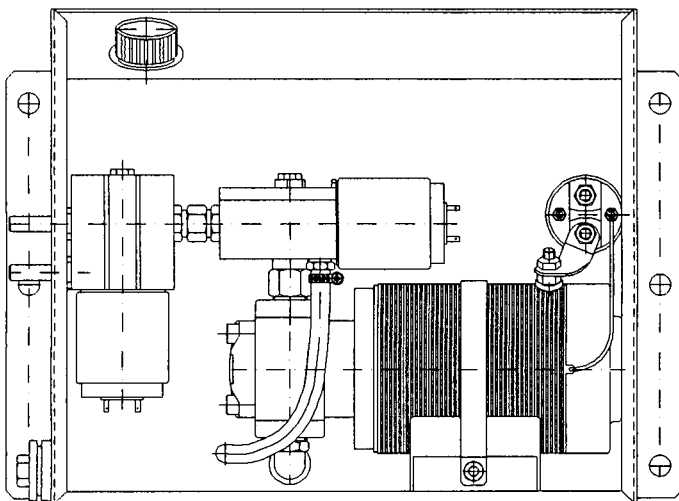
Reservdelslista hydraulaggregat / Spare part list hydraulic units

Benämning	Denomination	Beställingsnr Description	Antal / Number 24HY059TL
Pumpaggregat	Pump motor unit		1
Magnetventil	Solenoid valve		1
"	"		1
"	"		2
"	"		1
Motstånd	Resistor		2
Ventil	Valve		1
Solenoid	Solenoid		1
Kontaktfläta	Connection cable		1
Tank	Reservoir		1
Fästplåt	Anchor plate		1
Sugvinkel	Elbow		1
Luftfilter	Breather		1
Spännband	Strap		1
Slangförbindning	Hose connection		1
"	"		3
Nivåslang	Level hose		1
Slangklämma	Clamp		2
"	"		6
"	"		2
Tryckrör	Pressure tube		2
Rakkoppling	Pipe coupling		2
T-koppling	T-coupling		1
"	"		1
Plugg	Plug		1
Vinkelkoppling	Elbow coupling		2
Gummiståbricka	Rubber steel plate		2
Genomföring	Rubber bushing		6
Skruv	Screw		4
Mutter	Nut		6
Täckplugg	Cover plug		6
Kontaktledning	Connection cable		1
"	"		2
Relä	Relay		1
Montageskena	Mounting bar		1
Skruv	Screw		2
Fjäderbricka	Spring washer		2
Mutter	Nut		2
Skruv	Screw		2
Fjäderbricka	Spring washer		2
Bricka	Washer		2



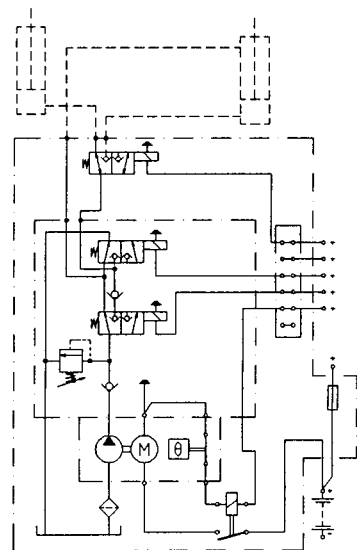
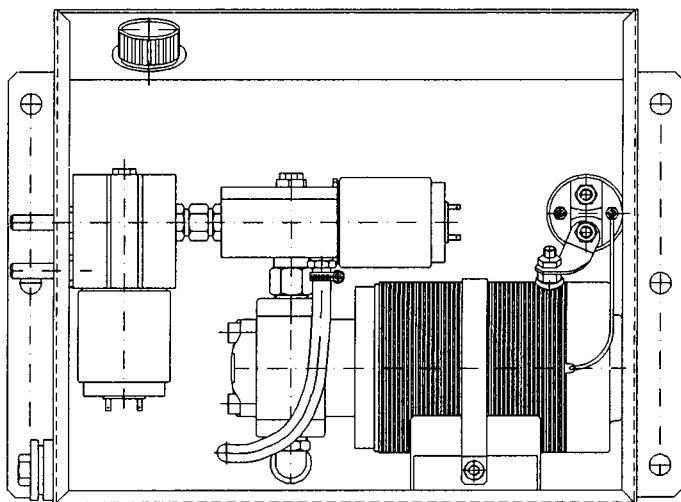
Reservdelstlista hydraulaggregat / Spare part list hydraulic units

Benämning	Denomination	Beställningsnr Description	Antal / Number	
			12HY051TJ	24HY051TJ
Pumpaggregat	Pump motor unit		1	-
"	"		-	1
Magnetventil	Solenoid valve		1	-
"	"		-	1
"	"		2	-
"	"		-	2
Solenoid	Solenoid		1	-
"	"		-	1
Kontaktfläta	Connection cable		2	2
Tank	Reservoir		1	1
Dräneringsplugg	Drain plug		1	1
Slangförbindning	Hose connection		1	1
"	"		1	1
Sugvinkel	Elbow		1	1
Luftfilter	Breather		1	1
Spännband	Strap		1	1
Rak koppling	Pipe coupling		2	2
Slangklämma	Clamp		2	2
"	"		2	2
Genomföring	Rubber bushing		6	6
Täckplugg	Rubber plug		4	4
Skruv	Screw		2	2
Mutter	Nut		2	2
Bricka	Washer		1	1
Fjäderbricka	Spring washer		1	1
Gummistålbricka	Rubber steel plate		2	2
Motorvagga	Frame		1	1
Skruv	Screw		4	4
Fjäderbricka	Spring washer		4	4
Mutter	Nut		4	4



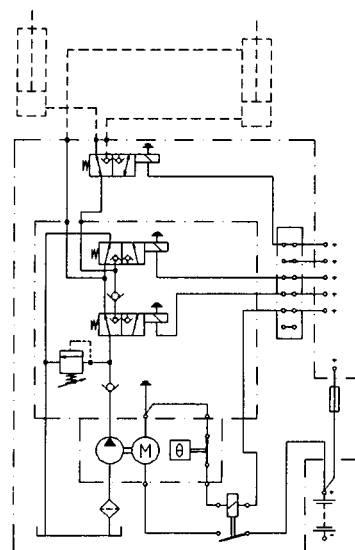
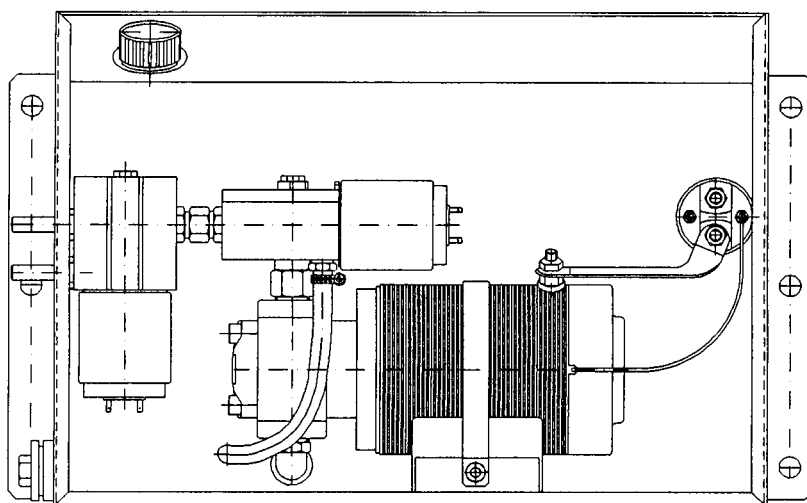
Reservdelslista hydraulaggregat / Spare part list hydraulic units

Benämning	Denomination	Beställningsnr Description	Antal / Number			
			12HY05ITT	24HY05ITT	24HY05ITB	24HY051TTH
Pumpaggregat	Pump motor unit		1	-	-	-
"	"		-	1	1	-
"	"		-	-	-	1
Magnetventil	Solenoid valve		1	-	-	-
"	"		-	1	1	1
"	"		1	-	-	-
"	"		-	1	1	1
Solenoid	Solenoid		1	-	-	-
"	"		-	1	1	1
Kontaktfläta	Connection cable		2	2	2	-
"	"		-	-	-	2
Tank	Reservoir		1	1	-	-
"	"		-	-	1	-
"	"		-	-	-	1
Dräneringsplugg	Drain plug		1	1	1	1
Motorvagga	Frame		1	1	1	1
Sugvinkel	Elbow		1	1	1	-
"	"		-	-	-	1
Lufffilter	Breather		1	1	1	1
Spännband	Strap		1	1	1	1
Slangförbindning	Hose connection		1	1	1	1
"	"		1	1	1	1
Slangklämma	Clamp		2	2	2	2
"	"		2	2	2	2
Rak koppling	Pipe coupling		2	2	2	2
Genomföring	Rubber bushing		5	5	5	5
"	"		1	1	-	1
Täckplugg	Rubber plug		5	5	5	5
Skruv	Screw		4	4	4	1
"	"		2	2	2	5
"	"		-	-	-	-
Mutter	Nut		4	4	4	4
"	"		2	2	2	2
Gummistålbricka	Rubber steel plate		2	2	2	2
Fjäderbricka	Spring washer		4	4	4	4
Bricka	Washer		-	-	-	1



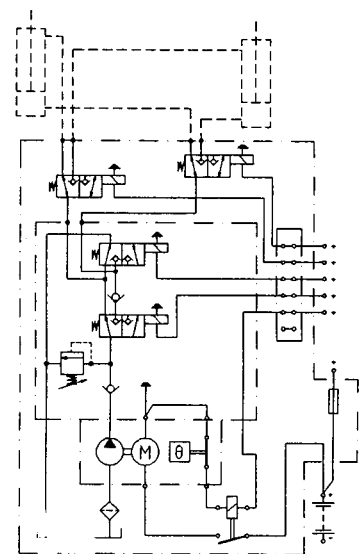
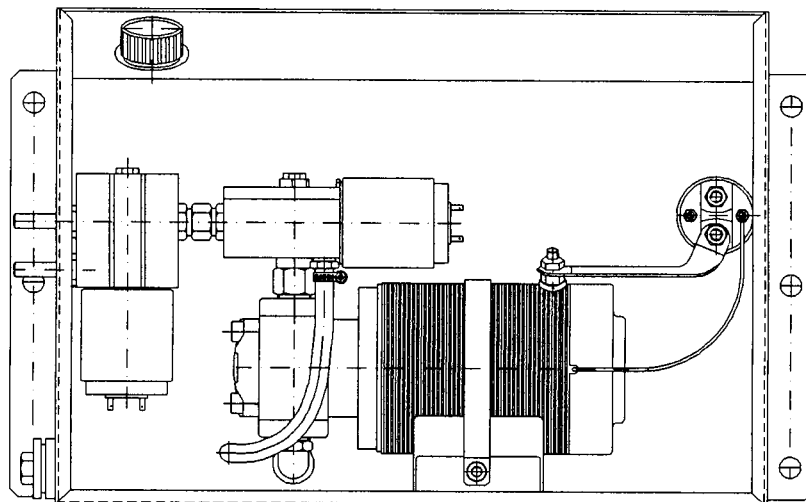
Reservdelistsa hydraulaggregat / Spare part list hydraulic units

Benämning	Denomination	Beställningsnr Description	Antal / Number			
			12HY059TB	24HY059TB	12HY059TT	24HY059TT
Pumpaggregat	Pump motor unit		1	-	1	-
"	"		-	1	-	1
Magnetventil	Solenoid valve		1	-	1	-
"	"		-	1	-	1
"	"		1	-	1	-
"	"		-	1	-	1
Solenoid	Solenoid		1	-	1	-
"	"		-	1	-	1
Kontaktfläta	Connection cable		1	1	1	1
Tank	Reservoir		1	1	-	-
"	"		-	-	1	1
Dräneringsplugg	Drain plug		1	1	1	1
Sugvinkel	Elbow		1	1	1	1
Luftfilter	Breather		1	1	1	1
Spännband	Strap		1	1	1	1
Slangförbindning	Hose connection		1	1	1	1
"	"		1	1	1	1
Slangklämma	Clamp		2	2	2	2
"	"		2	2	2	2
Rak koppling	Pipe coupling		2	2	2	2
Genomföring	Rubber bushing		5	5	5	5
Täckplugg	Cover plug		5	5	5	5
Genomföring	Rubber bushing		-	-	1	1
Skruv	Screw		2	2	2	2
Mutter	Nut		2	2	2	2
Gummistålbricka	Rubber steel plate		2	2	2	2
Motorvagga	Frame		1	1	1	1
Mutter	Nut		4	4	4	4
Skruv	Screw		4	4	4	4
Fjäderbricka	Spring washer		4	4	4	4



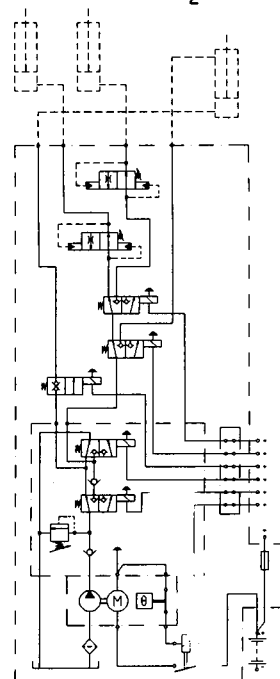
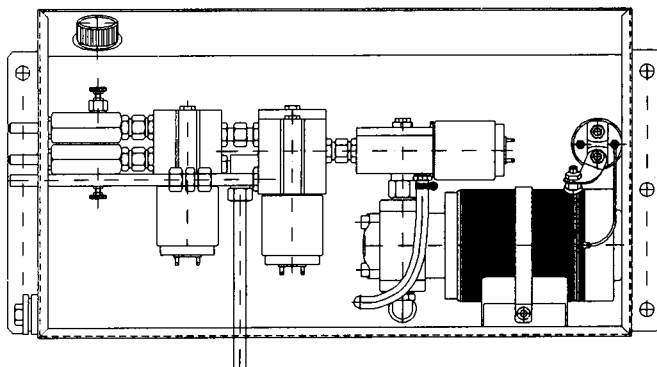
Reservdelistsa hydraulaggregat / Spare part list hydraulic units

Benämning	Denomination	Beställningsnr Description	Antal / Number			
			12HY059TJ	24HY059TJ	12HY059TX	24HY059TX
Pumpaggregat	Pump motor unit		1	-	1	-
"	"		-	1	-	1
Magnetventil	Solenoid valve		1	-	1	-
"	"		1	-	-	1
"	"		2	-	2	-
"	"		-	2	-	2
Solenoid	Solenoid		1	-	1	-
"	"		-	1	-	1
Kontaktfläta	Connection cable		1	1	-	-
"	"		-	-	1	1
Tank	Reservoir		1	1	-	-
"	"		-	-	1	1
Sugvinkel	Elbow		1	1	1	1
Luftfilter	Breather		1	1	1	1
Spännband	Strap		1	1	1	1
Slangförbindning	Hose connection		1	1	1	1
"	"		1	1	1	1
Slangklämma	Clamp		2	2	2	2
"	"		2	2	2	2
Rak koppling	Pipe coupling		2	2	2	2
Genomföring	Rubber bushing		6	6	6	6
Täckplugg	Rubber plug		4	4	4	4
Genomföring	Rubber bushing		-	-	1	1
Skruv	Screw		2	2	2	2
Mutter	Nut		2	2	2	2
Gummistålbricka	Rubber steel plate		2	2	2	2
Motorvagg	Frame		1	1	1	1
Skruv	Screw		4	4	4	4
Fjäderbricka	Spring washer		4	4	4	4
Mutter	Nut		4	4	4	4
Dräneringsplugg	Drain plug		1	1	1	1



Reservdelslista hydraulaggregat / Spare part list hydraulic units

Benämning	Denomination	Beställningsnr Description	Antal / Number 24HY107TB
Pumpaggregat	Pump motor unit		1
Magnetventil	Solenoid valve		1
"	"		1
"	"		1
"	"		1
Ventil	Valve		2
Solenoid	Solenoid		1
Kontaktfläta	Connection cable		1
Tank	Reservoir		1
Sugvinkel	Elbow		1
Lufffilter	Breather		1
Motorvagga	Frame		1
Spännband	Strap		1
Sugslang	Suction hose		1
Slangförbindning	Hose connection		1
Slangklämma	Clamp		2
"	"		2
Genomföring	Rubber bushing		6
Täckplugg	Rubber plug		16
Rak koppling	Pipe coupling		1
"	"		4
Banjokoppling	Elbow coupling		1
Förskruvning	Fitting		1
Rak studs	Straight bump		2
	Straight pressure		
Rakt tryckrör	Tube		2
Skruv	Screw		2
"	"		4
"	"		4
Mutter	Nut		2
"	"		4
Fjäderbricka	Spring washer		4
Gummistålbricka	Rubber steel plate		6
"	"		2
"	"		2
Diodkoppling	Diode coupling		2
Adapter	Adapter		2



Pumpaggregat / Pump motor units

med likströmsmotor typ MB / with D.C. motor type MB

Exempel 24MB22TP där L, X, A, R har utgått / Example 24MB22TP where L, X, A, R are omitted

Kodförklaring / Reference

Spänning / Voltage
12V, 24V, 36V, 48V

Motordiameter / Motor diameter
MB - 112mm

Lindningsvarv i rotor /
Turn of a winding in the armature

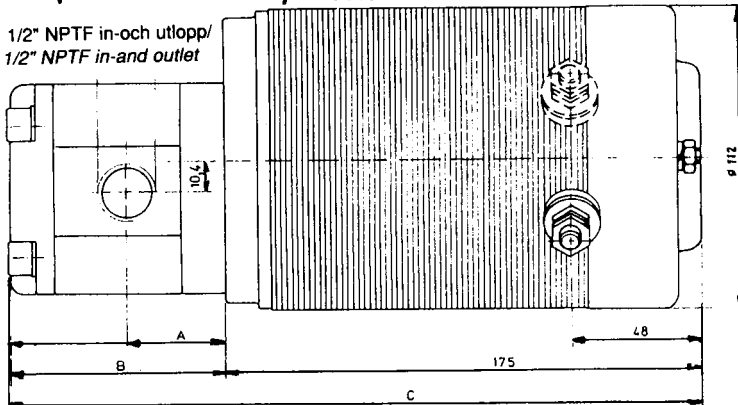
Antal uttagsskruvar / Number of contact
screws

Förlängd motor / Prolonged motor

Spec. utförande / Special execution

Temperaturvakt / Motor protector

1/2" NPTF in-och utlopp/
1/2" NPTF in-and outlet



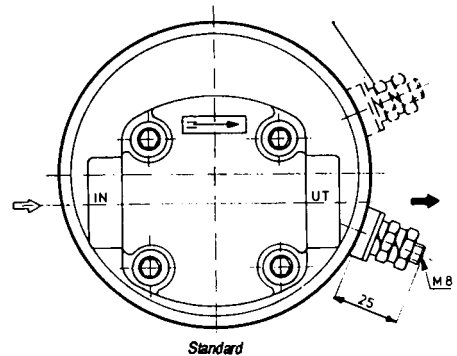
Pumptryck / Pump pressure

PR pump med inst-tryck / PR-pump
with relief valve
storlek / size PR13, PR17, PR22

Standardpump / Standard pumps
Storlek / Size P4, P9, P13, P17, P22

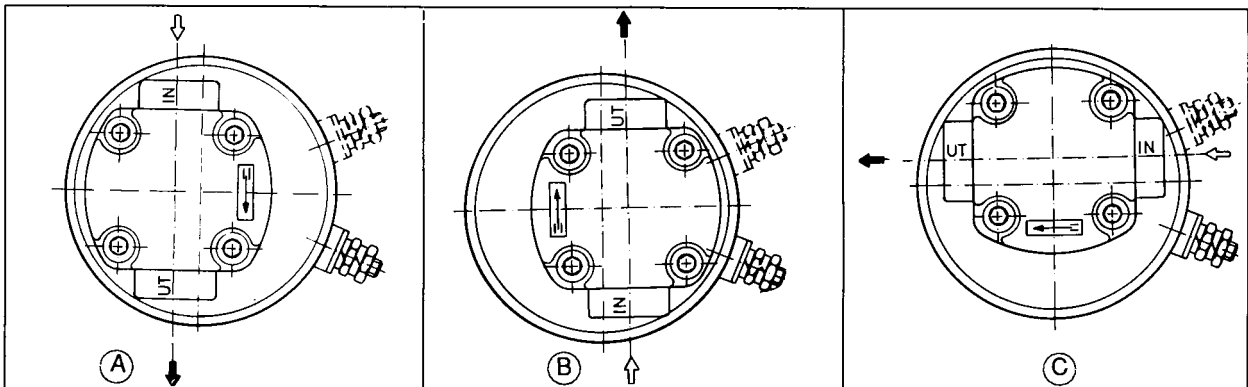
Pumpvridn. se nedan, utgår
vid standard / Alternative
pump position see below,
omitted when standard

Tillkommer vid motor typ MB 2/
Additional at motor type MB2



Pumpaggregat/ Pump motor units	Qlit/ 1000 rpm	A	B	C
MB P4	0,82	40,5	76	251,5
MB P9	1,64	42,0	79	254,5
MB P13	2,46	43,5	82	257,5
MB P17	3,28	45,0	85	260,5
MB P22	4,3	47,2	87	263,5
MB P30	5,70	50,2	93,5	280,1

Alternativ vridning av pumpen i förhållande till motors kontaktsskruv(ar)
Alternativ pump position in relation to the motor contact screw(s)



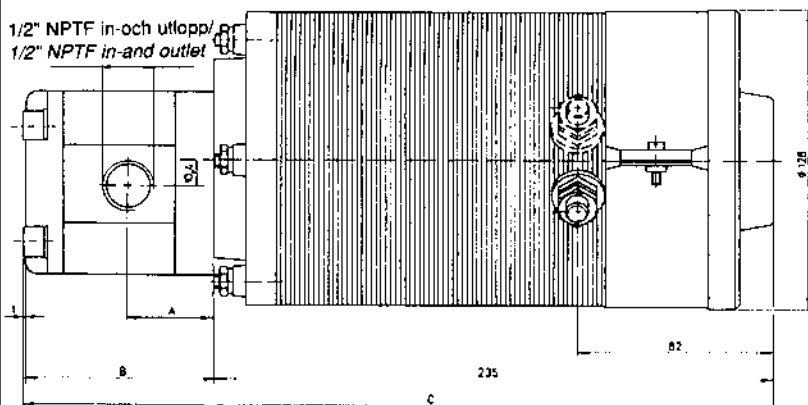
Pumpaggregat / Pump motor units

med likströmsmotor Typ MA / with D.C. motor type MC

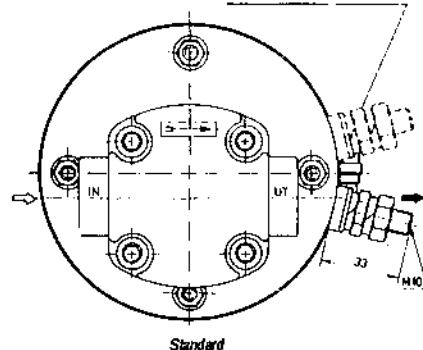
Exempel 24MC42TP där A, H, 2, R har utgått / Example 24MC42TP where A, H, 2, R are omitted

Kodförklaring / Reference	24 MC 4 A 2 T H 2 P R	
Spänning / Voltage 12V, 24V, 36V, 48V	24	Pumptryck / Pump pressure PR pump med Inst-tryck / PR-pump with relief valve Storlek / Size PR13, PR17, PR22
Motordiameter / Motor diameter MC - 125mm	MC	Standardpump Standard pumps, storlek / Size P4, P9, P13, P17, P22
Rotortyp / Type of armature	4	Pumpvridn. se nedan, utgår som standard / Alternative pump position see below, omitted when standard
Förhöjt varvtal / Increased number of revolutions	A	
Antal uttagsskruvar / Number of contact screws	2	
Temperaturvakt / Motor protector	T	

Fläkt / Ventilator

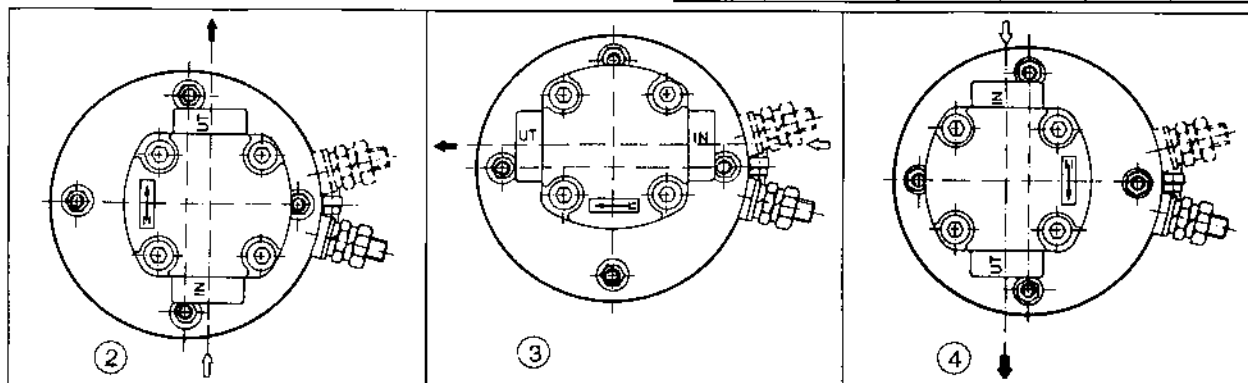


Tillkommer vid motor typ MC 2 / Additional at motor type MC 2



Pumpaggregat / Pump motor units		Ql/v / 1000 rpm	A	B	C
MA	P4	0,82	40,5	76	311,5
MA	P9	1,64	42,0	79	314,5
MA	P13	2,46	43,5	82	317,5
MA	P17	3,28	45,0	85	320,5
MA	P22	4,3	47,2	87	323,5
MA	P30	5,70	50,2	93,5	340,1

Alternativ vridning av pumpen i förhållande till motorens kontaktskruv(ar)
Alternative pump position in relation to the motor contact screw(s)



Pumpaggregat / Pump motor units

med likströmsmotor Typ MA med fläkt / with D.C. motor type M with ventilator

Exempel 24MC42THP där A, 2, R har utgått / Example 24MC42THP where A, 2, R are omitted

Kodförklaring / Reference

Spänning / Voltage
12V, 24V, 36V, 48V

Motordiameter / Motor diameter
MC - 125mm

Rotortyp / Type of armature
Förhöjt varvtal / Increased number of revolutions

Antal uttagsskruvar / Number of contact screws

Temperaturvakt / Motor protector

Fläkt / Ventilator

24 MC 4 A 2 T H 2 P R

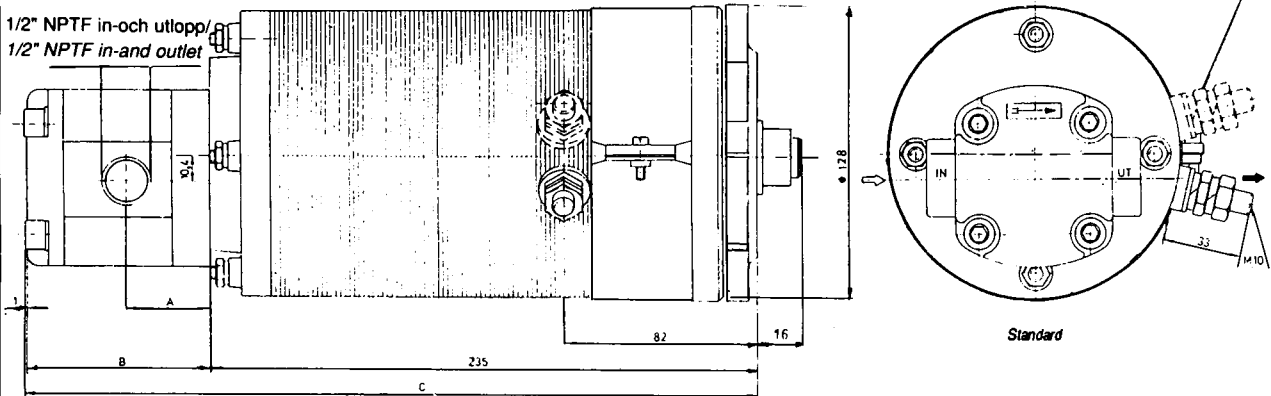
Pumptryck / Pump pressure

PR pump med inst-tryck / PR-pump with relief valve
Storlek / Size PR13, PR17, PR22

Standardpump Standard pumps,
storlek / Size P4, P9, P13, P17, P22

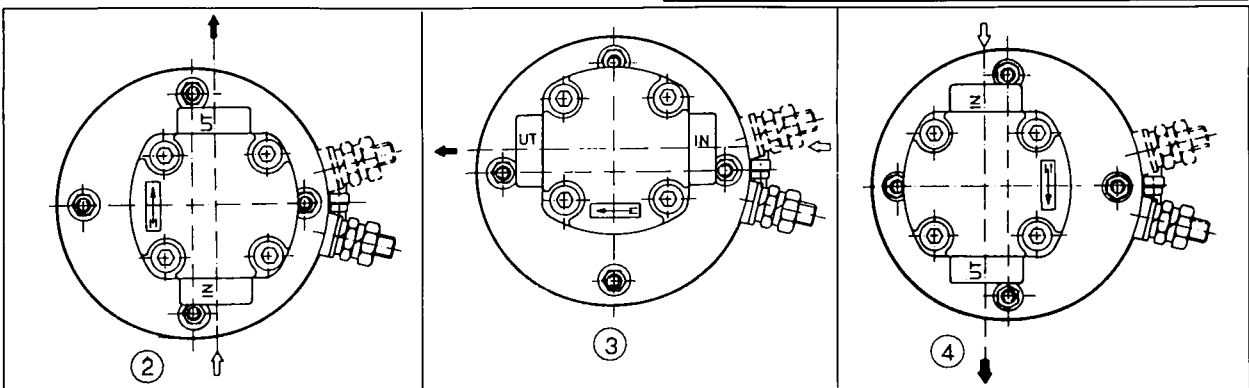
Pumpvridn. se nedan, utgår som standard / Alternative pump position see below, omitted when standard

Tillkommer vid motor typ MC2/
Origin at motor type MC2



Pumpaggregat/ Pump motor units	Qlit/ 1000 rpm	A	B	C
MA P4	0,82	40,5	76	318,5
MA P9	1,64	42,0	79	321,5
MA P13	2,46	43,5	82	324,5
MA P17	3,28	45,0	85	327,5
MA P22	4,3	47,2	87	330,5
MA P30	5,70	50,2	93,5	347,1

Alternativ vridning av pumpen i förhållande till motors kontaktsskruv(ar)
Alternativ pump position in relation to the motor contact screw(s)



Framtagning av pump och motorsats ur kurvblad.

Kurvblad 1: Val av pump och uppskattning av belastningsström

Kurvblad 2: Uppskattning av termisk inkopplingstid och/eller intern drift med hjälp av belastningsström och kurvorna S2, S3.

S 2 Korttidsdrift Drift med konstant effekt under en bestämd tid, som är kortare än som erfordras för att termisk fortfarighet skall uppnås, följt av vila och avbrott så länge att motorn hinner anta en temperatur som ej avviker från kylmedlets mer än 2 K.

S3 Intermittert drift En sekvens av lika driftsperioder där varje period består av en del med konstant effekt och en med vila och avbrott.

Exempel:

Pumpaggregat 24V med flöde 5,8 lit / min. vid 140 bar. **Drifttid?**

På kurvblad 1 konstateras att vid 140 bar och med pump P13 ger aggregatet 6lit / min. och tar ca 105 A.

På kurvblad 2 avläses att aggregatet med belastningen 105A enligt S2 kan köras ca 4 min. Alt. enl. S3 = ca 8 %.

The way you choose pump and motor capacity out of the curve sheets.

Curve sheet no 1. Choice of pump and estimation of loading charge.

Curve sheet no 2. Estimation of thermal ratings and / or internal operation supported by loading charge and curves S2, S3.

S2 Short time running. Operation with constant efficiency during a certain period, shorter than required to reach thermal quickness, followed by rest and break as long as the motor gets time to reach a temperature not divergent from the temperature of the cooling fluid more than 2K.

S3 Intermittent operation. A sequence of similar operation periods where every period consists of one part with constant efficiency and one with rest and break.

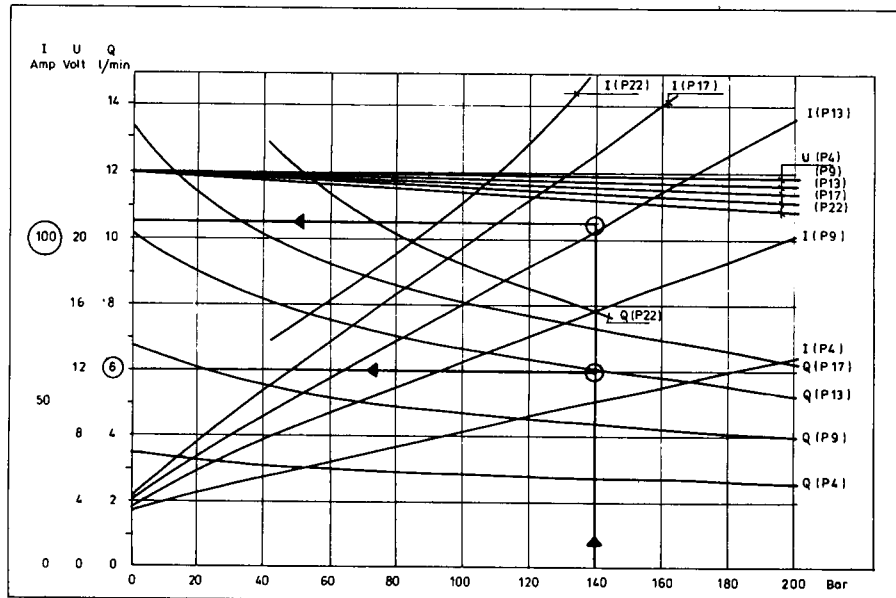
Example:

The pump 24V with a flow of 5,8 l / min at 140 bar. **Operation time?**

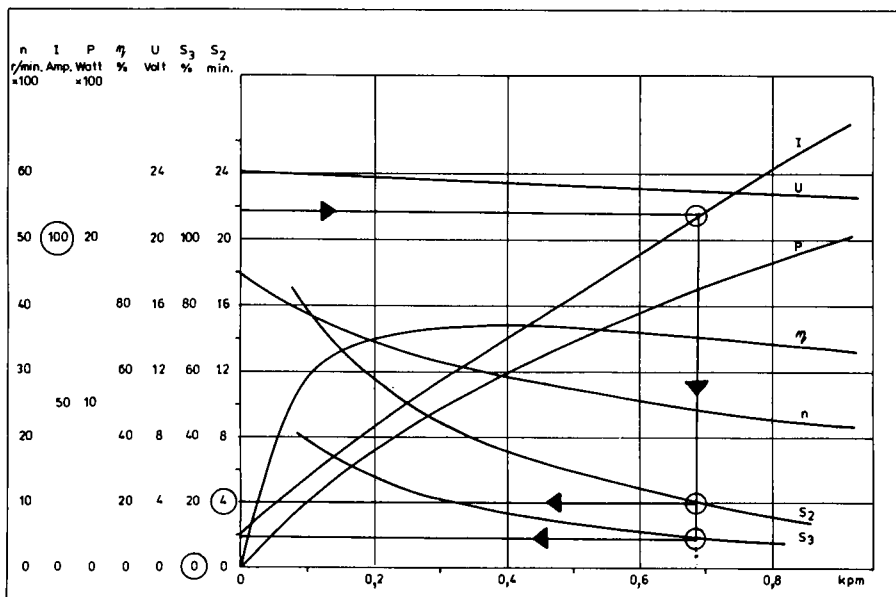
On curve sheet 1 you'll find that at 140 bar and with pump P13 the aggregate supplies 6 l / min and requiree approx 105A.

On curve sheet 2 you'll read that the aggregate with the load of 105A according to S2 can be operated approx 4 min. Alternative according to S3= approx 8%.

Kurvblad 1 / Curve Sheet 1



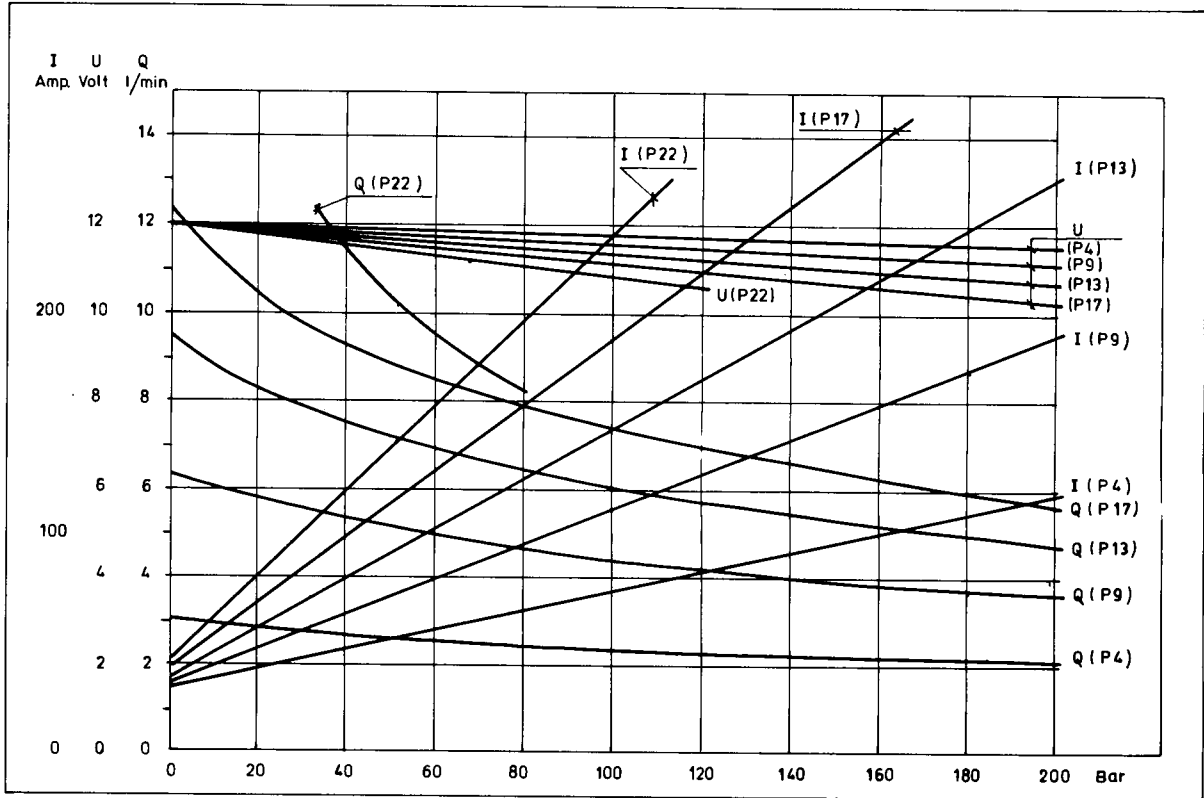
Kurvblad 2 / Curve Sheet 2



Kurvblad pumpaggregat typ MB / Curves pump motor units type MB

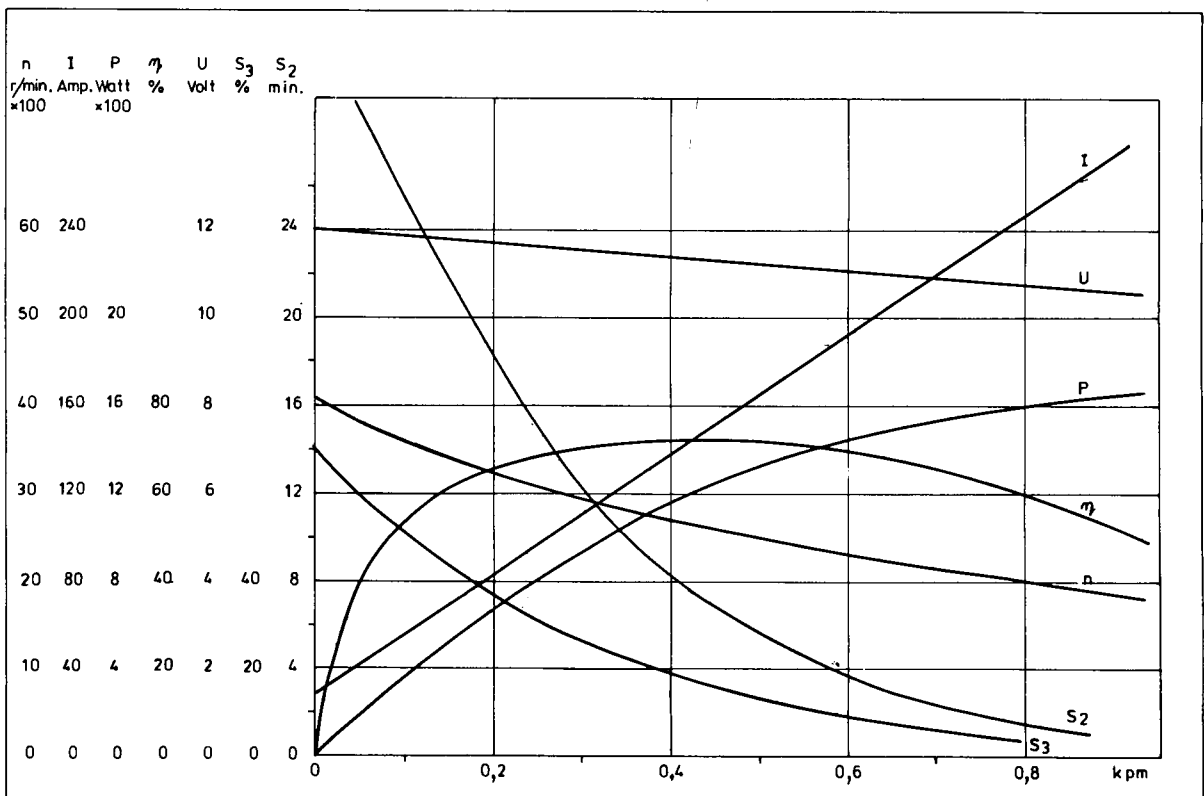
Pumpaggregat / Pump motor units

12MB12TP, , 12MB12TPR



Tillhörande motorer /Corresponding motors

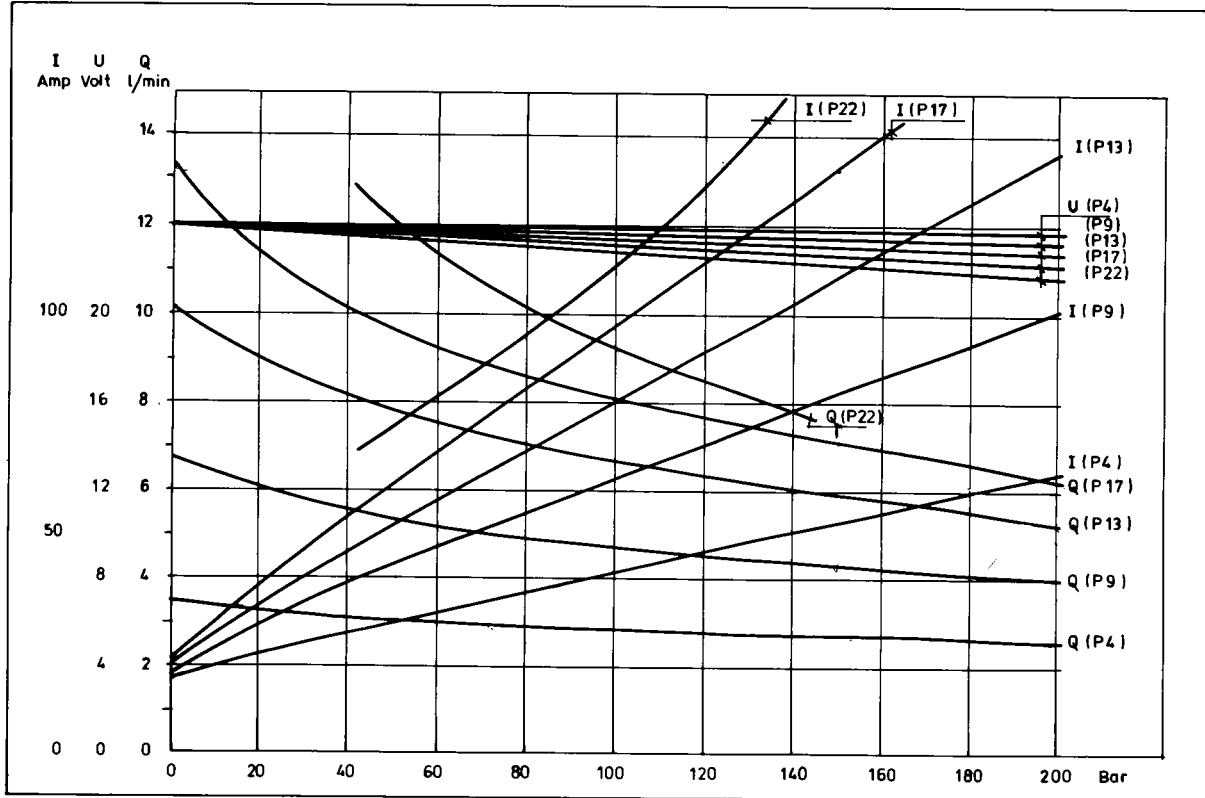
12MB12TWA



Kurvblad pumpaggregat typ MB / Curves pump motor units type MB

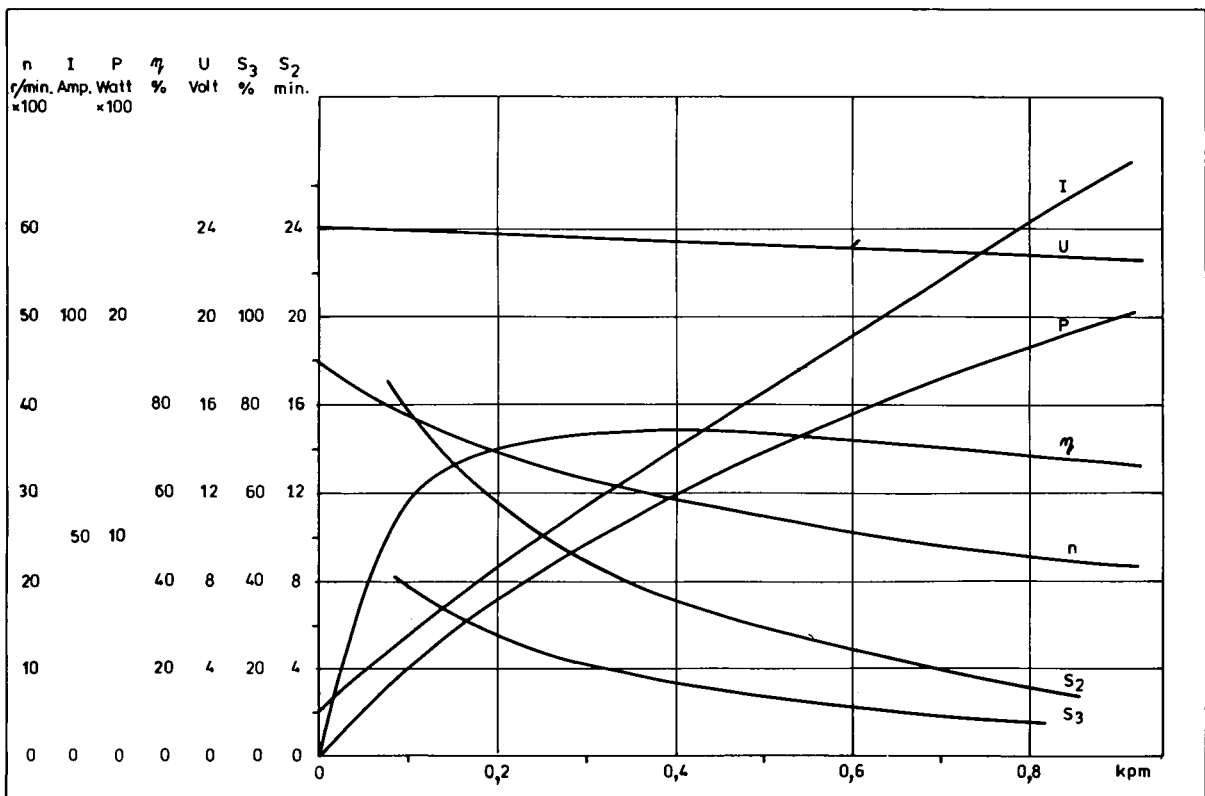
Pumpaggregat / Pump motor units

24MB22TP, 24MB22TPR



Tillhörande motorer /Corresponding motors

24MB22TWA

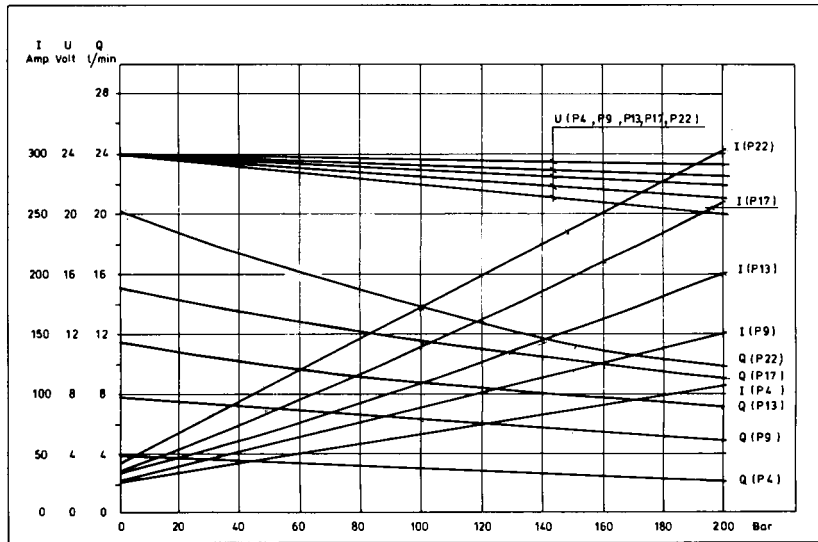


Kurvblad pumpaggregat typ MA

Curves pump motor units type MA

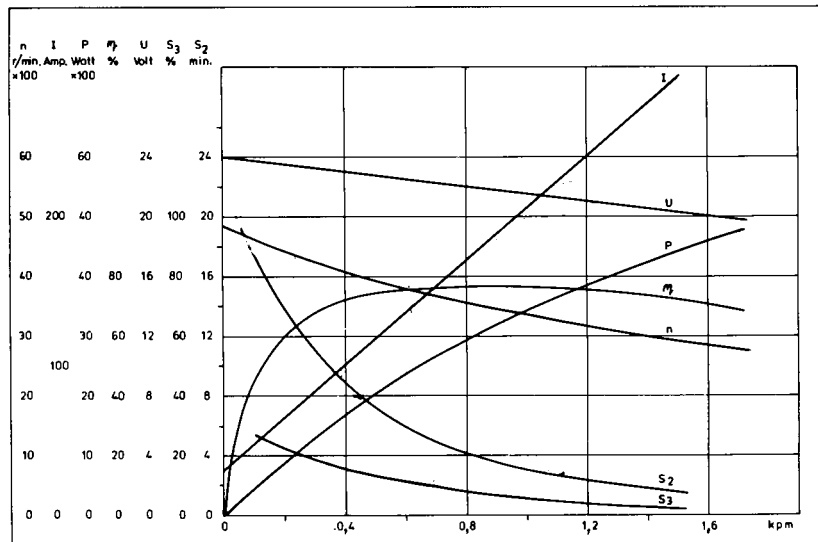
Pumpsaggregat/ Pump motor units

- 24M042TP,
- 24M042THP,
- 24M042TPR,
- 24M042THPR



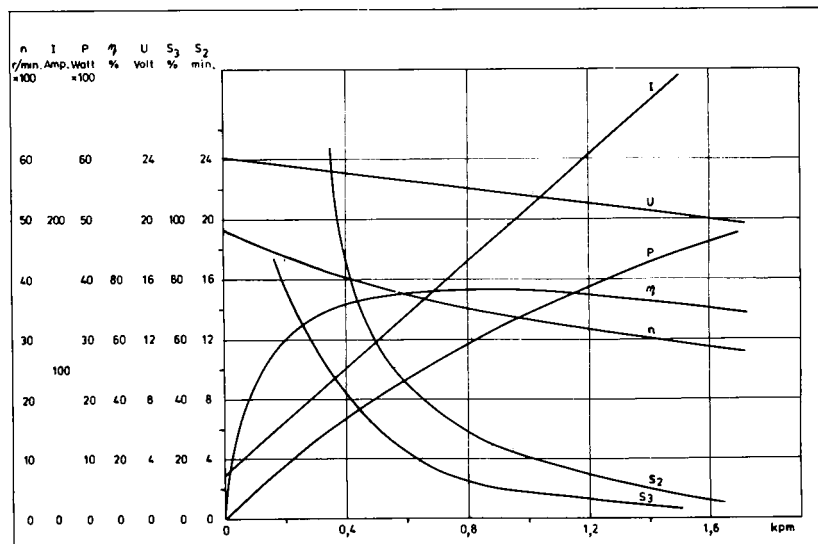
Tillhörande motorer / Corresponding motors

24M042TWA



Tillhörande motorer / Corresponding motors

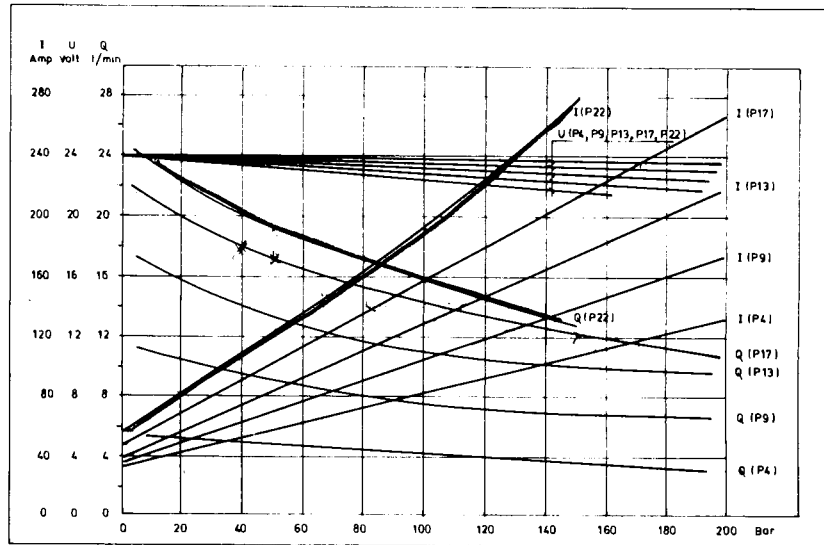
24M042THWA



Kurvblad pumpaggregat typ MC / Curves pump motor units type MC

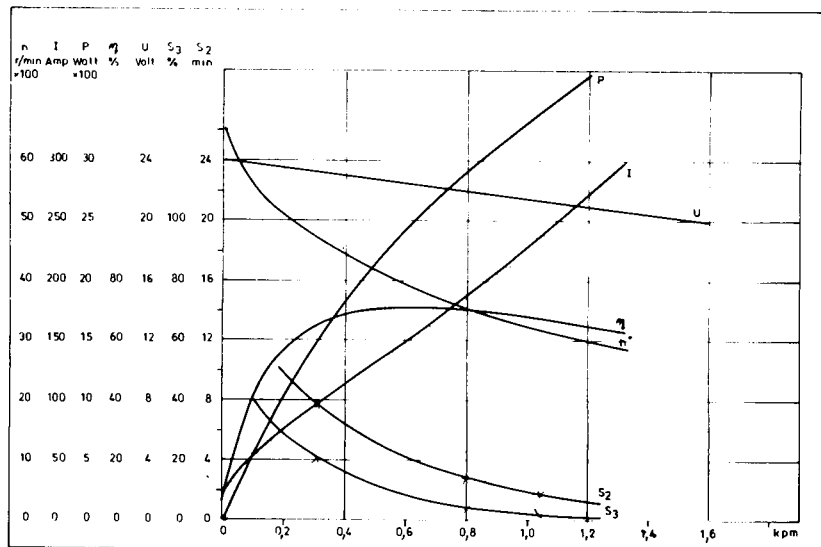
Pumpsaggregat/ Pump motor units

24MC4ATP, 24MC4A2TP,
24MC4A2-HP



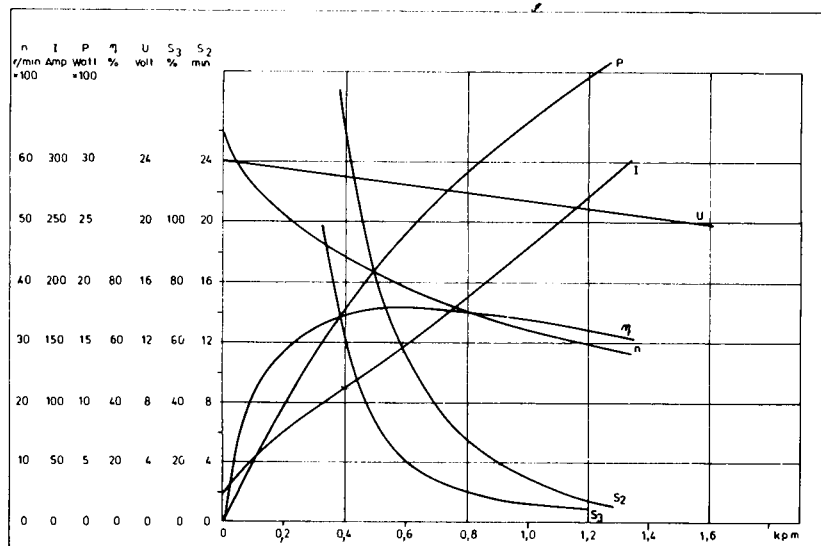
Tillhörande motorer / Corresponding motors

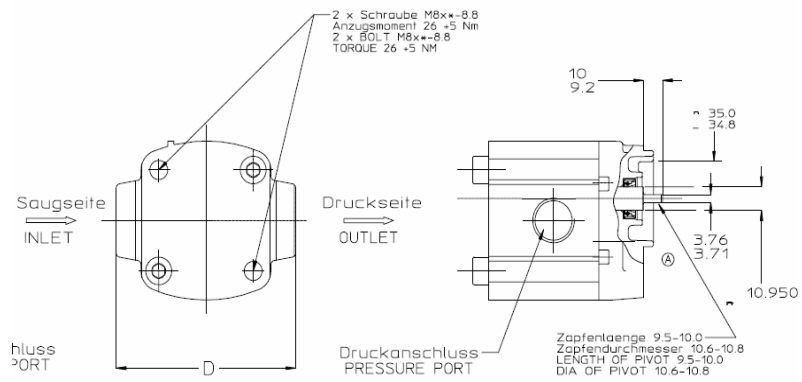
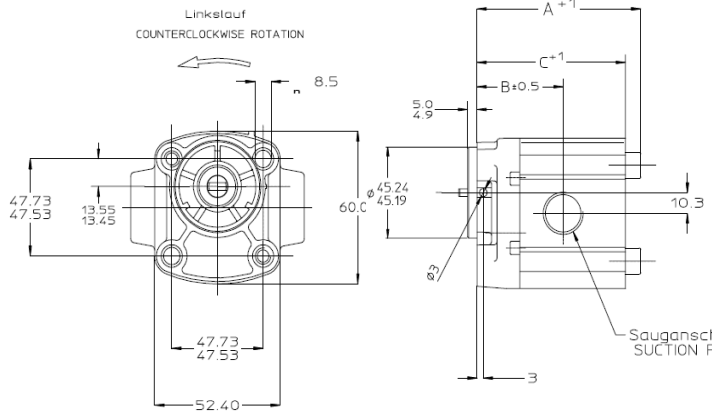
24MC4ATWA, 24MC4A2TWA



Tillhörande motorer / Corresponding motors

24MC4A2-HWA





Typenschlüssel
MODEL CODE

Type/Baugröße TYPE/RISE SIZE	Fördervol. DISPLACEMENT	Anschluss PORTS	Befl.-Flansch FLANGE	Weile SHAFT
P1	*	*	D	6
	cm ³ /U cc/REV			

Modell MODEL	cc/U CC/REV	max Druck MAX PRESSURE (bar)	Drehzahl bei p max SPEED AT RATED PRESSURE (min-1) (RPM) MAX MIN	Masse DIMENSIONS (mm) A*1	Masse DIMENSIONS (mm) B*0.5	Masse DIMENSIONS (mm) C*1	Gewicht WEIGHT (kg)
P1-4	0.8	230	6000	1200	75.8	40.4	67.5
P1-6	1.2	230	6000	1100	77.2	41.2	69.2
P1-9	1.6	230	6000	1100	78.9	42.1	69.9
P1-11	2.0	230	6000	1000	80.5	42.9	72.5
P1-13	2.5	230	3000	1000	82.7	44.0	74.7
P1-17	3.2	230	5000	1000	85.6	45.4	77.6
P1-22	4.3	190	4500	850	90.3	47.8	82.3
P1-30	5.7	145	3800	800	96.2	50.7	88.2

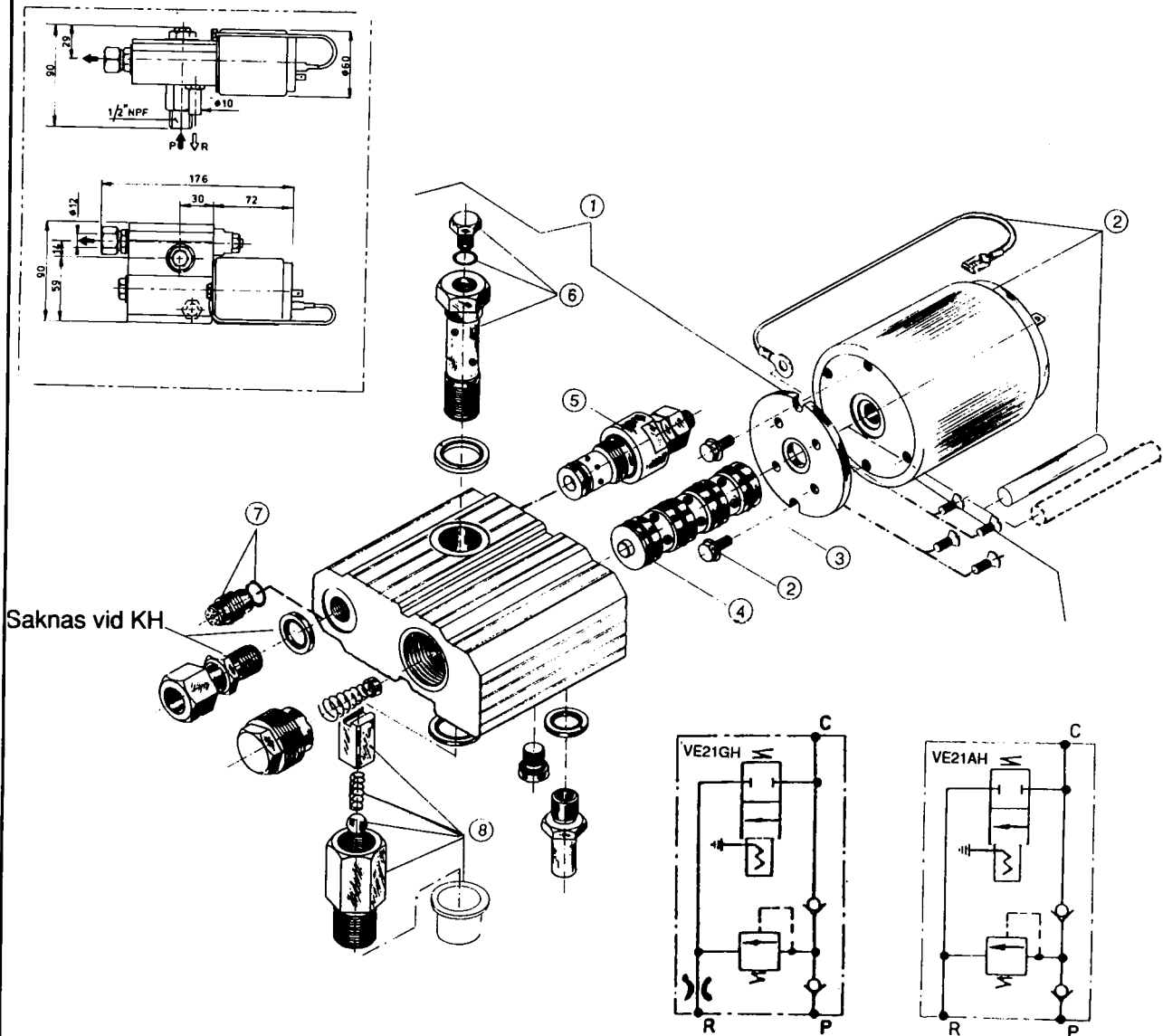
Pumpenanschlüsse / PUMP CONNECTIONS

Autobahn TYPE	Sauganschl. SUCTION PORT	Druckanschl. PRESSURE PORT	Druckanschl. HOUSING WIDTH	D
K	M 18 x 1.5 Ø 18 x 1.5	M 14 x 1.5 Ø 14 x 1.5	18	18
M	1/2 NPTF Ø 12.7	1/2 NPTF Ø 12.7	18	18
N	M 18 x 1.5 Ø 18 x 1.5	M 18 x 1.5 Ø 18 x 1.5	18	18
P	G 1/2 Ø 12.7	G 1/2 Ø 12.7	18	18
R	1/2 NPTF Ø 12.7	G 1/2 Ø 12.7	18	18

4. Filtrung: Vollstromfiltration nach ISO 4406/1986 (Code 18/14)
FILTRATION: ACCORDING TO ISO 4406/1986 (CODE 18/14)
3. Betriebsdruck am Pumpeneingang:
0.35 bar Unterdruck kurzzeitig
0.17 bar Unterdruck dauernd
2.0 bar Überdruck dauernd
OPERATING PRESSURE AT INLET:
0.35 BAR BELOW ATMOSPHERIC PRESSURE FOR A SHORT TIME
0.17 BAR BELOW ATMOSPHERIC PRESSURE CONTINUOUS
2.0 BAR MAX GAUGE PRESSURE
2. Viskositätsbereich min. 12 cSt
max. 800 cSt
VISCOSITY RANGE MIN. 12 CST
MAX. 800 CST
1. Druckflüssigkeitstemperaturbereich:
Mineralöl bis 80 °C dauernd
bis 90 °C kurzfristig
FLUID TEMPERATURE RANGE:
MINERAL OIL MAX. 80 °C CONTINUOUS
MAX. 90 °C FOR A SHORT TIME

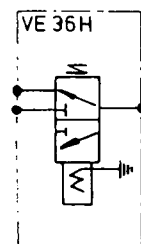
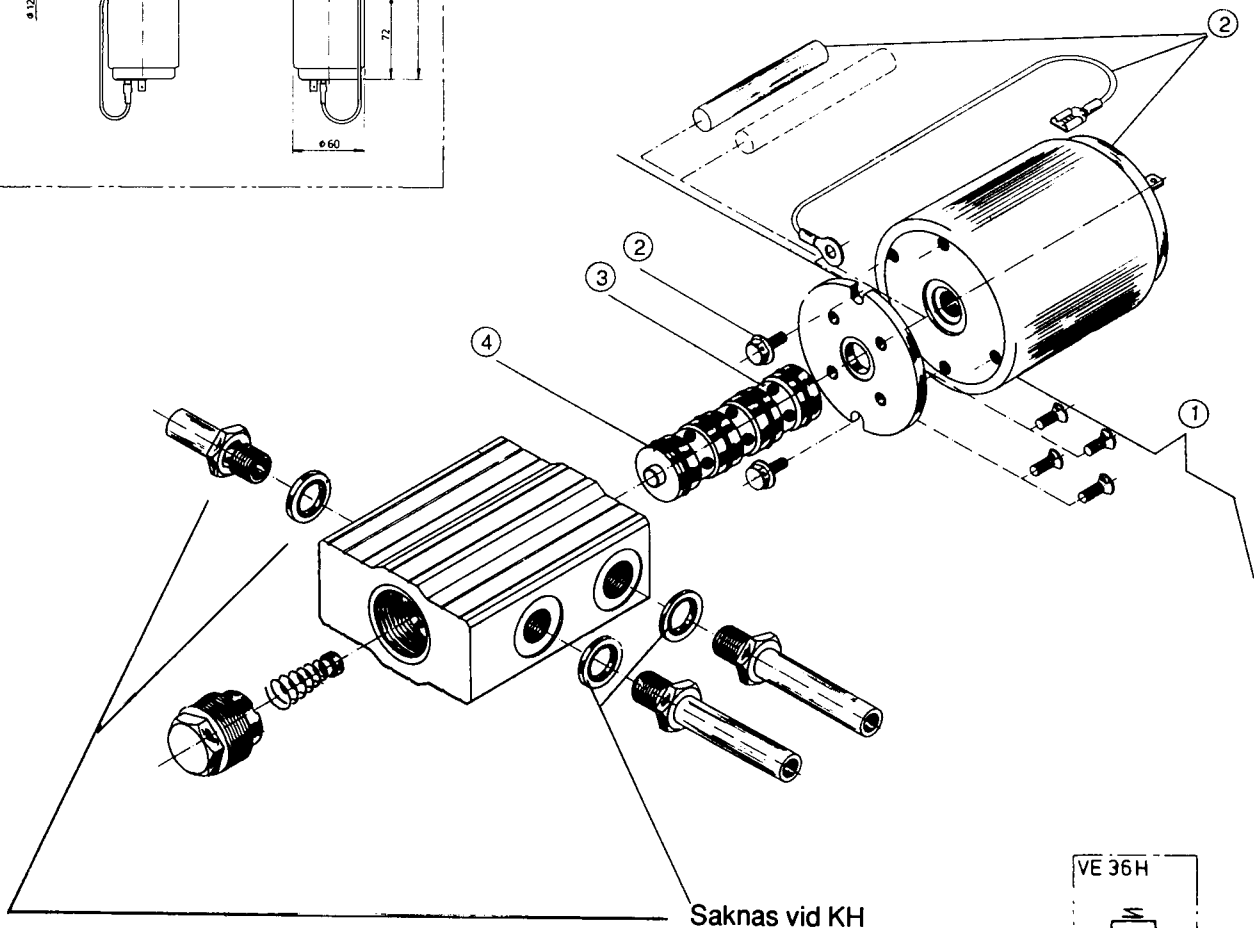
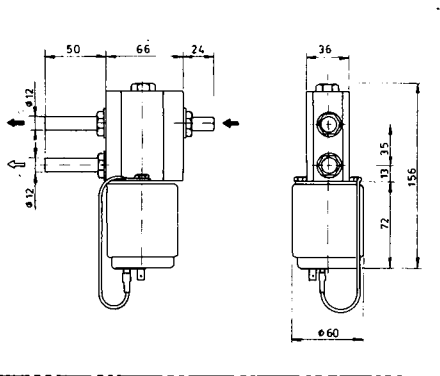
Reservdelstila magnetventiler / Spare part list solenoid valves

Pos	Benämning	Denomination	Beställningsnr. Description	12EM15		24EM15		Antal / Number	
				VE21AH	VE21AH	12EM15 VE21GH	24EM15 VE21GH	12EM15 VE21KH	24EM15 VE21KH
1	Ventil	Valve	VE21AH-...	1	1	-	-	-	-
1	"	"	VE21GH-...	-	-	1	1	-	-
1	"	"	VE21KH-...	-	-	-	-	1	1
2	Magnetsats	Magnet set	12EM15S	1	-	1	-	1	-
2	"	"	24EM15S	-	1	-	1	-	1
3	Ventil	Valve	VE16-1	1	1	1	1	1	1
4	O-ringsats	O-ring set	VE15-3-S	1	1	1	1	1	1
5	Överflödes- ventil	Overflow valve	VE100	1	1	1	1	1	1
6	Hålskruv	Swivel joint	600SKS	1	1	1	1	1	1
7	Backventil	Check valve	VE118	1	1	1	1	1	1
8	Pump- anslutning	Pump connec- tion	760HUS	1	1	1	1	1	1



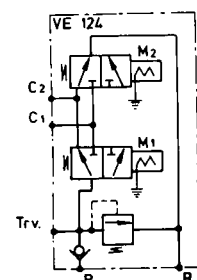
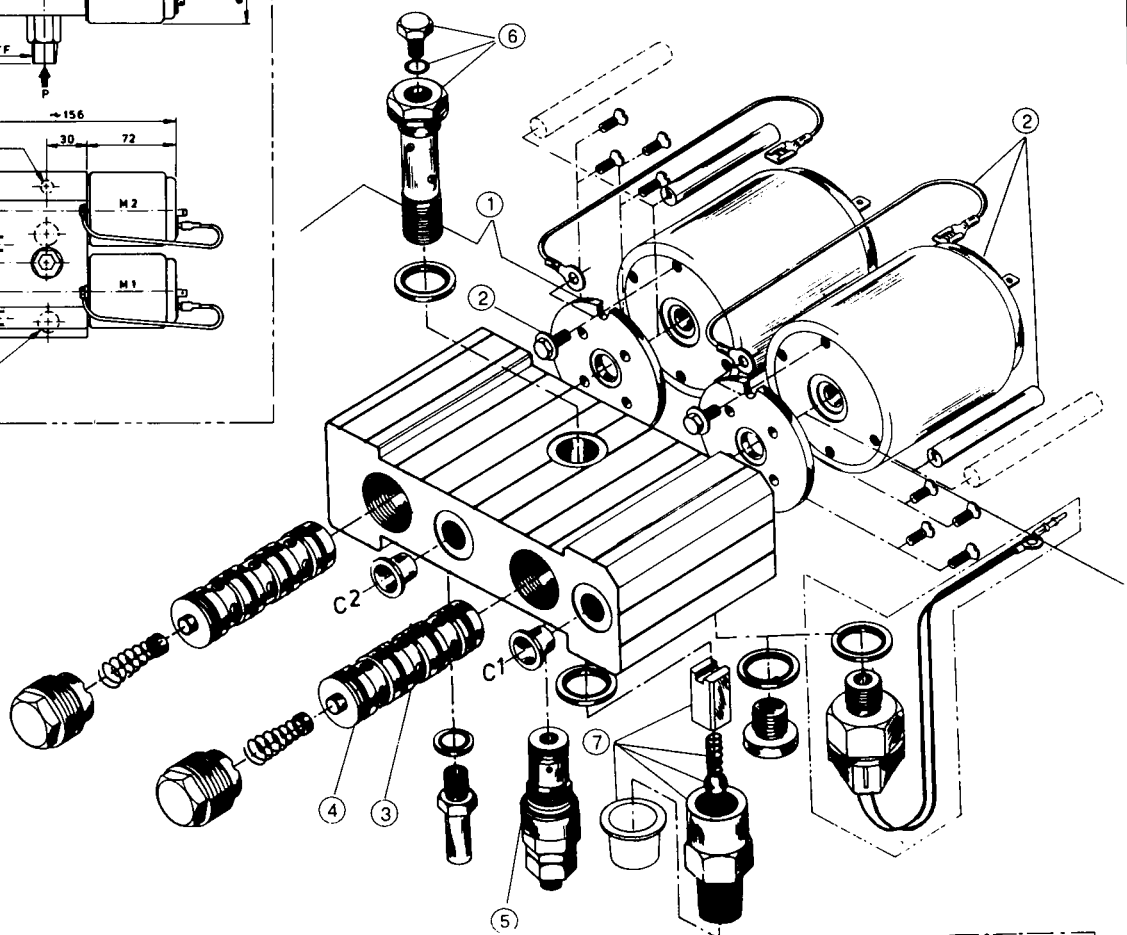
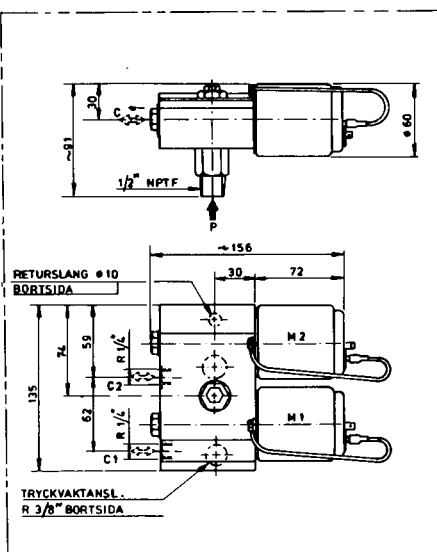
Reservdelstlista magnetventiler / Spare part list solenoid valves

Pos	Benämning	Denomination	Beställningsnr Description	Antal / Number					
				12EM15 VE36AH	24EM15 VE36AH	12EM15 VE36H	24EM15 VE36H	24EM15 VE36DH	24EM15 VE36KH
1	Ventil	Valve	VE36AH	1	1	-	-	-	-
1	"	"	VE36H	-	-	1	1	-	-
1	"	"	VE36DH	-	-	-	-	1	-
1	"	"	VE36KH	-	-	-	-	-	1
2	Magnetsats	Magnet set	12EM15S	1	-	1	-	-	-
2	"	"	24EM15S	-	1	-	1	1	1
3	Ventilsystem	Valve system	VE15-1	1	1	1	1	1	1
4	O-ringsats	O-ring set	VE15-3-S	1	1	1	1	1	1



Reservdelistsa magnetventiler / Spare part list solenoid valves

Pos	Benämning	Denomination Description	Beställningsnr	Antal / Number	
				12EM15VE124	24EM15VE124
1	Ventil	Valve	VE124-,,,	1	1
2	Magnetsats	Magnet set	12EM15S	2	-
2	"	"	24EM15S	-	2
3	Ventilsystem	Valve system	VE15-1	2	2
4	O-ringsats	O-ring set	VE15-3-S	2	2
5	Överflödesventil	Overflow valve	VE100	1	1
6	Hålskruv	Swivel joint	600SKS	1	1
7	Pumpanslutning	Pump connection	760HUS	1	1

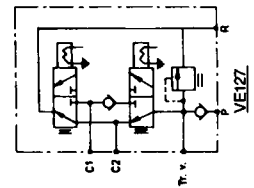
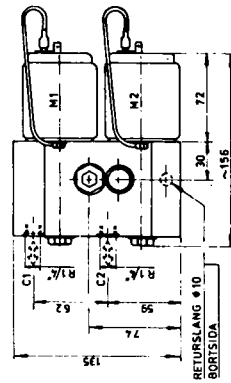
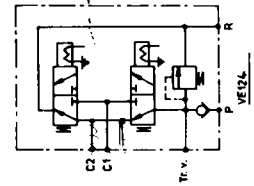
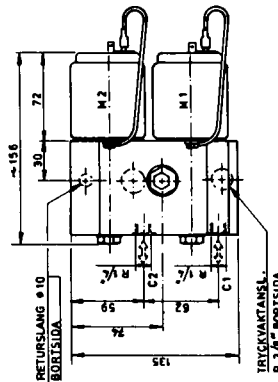
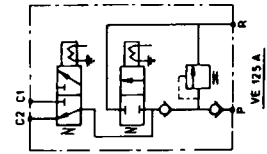
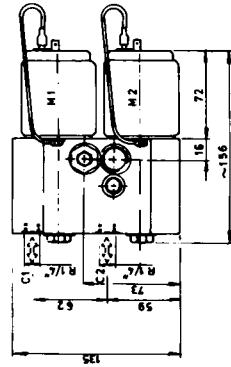
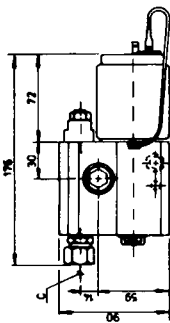
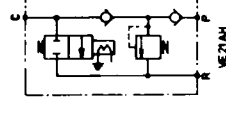
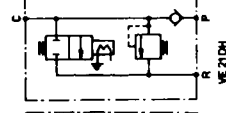
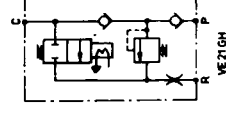
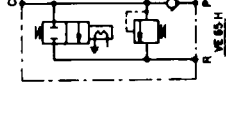
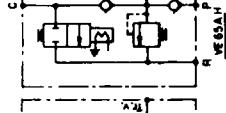
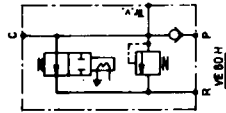
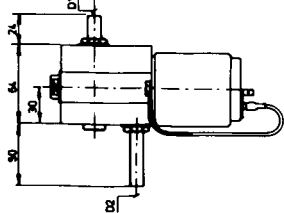
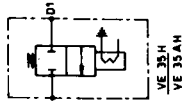
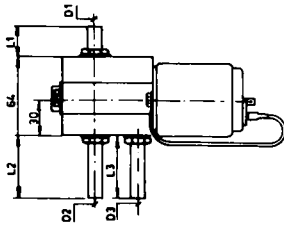
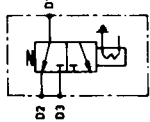
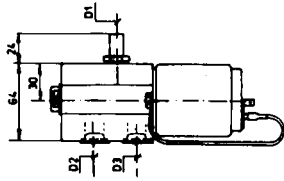
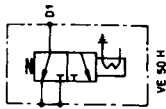


Ritningar magnetventiler / Drawings of solenoid valves

MAGNETVENTIL	D1	D2	D3	L1	L2	L3
1/2" L EMIO VE 36 H	ø10	ø10	ø10	24	50	50
VE 36 AH	ø12	ø12	ø12	24	50	50
VE 36 DH	ø12	ø12	ø12	50	24	84
VE 36 EH	ø12	ø12	ø12	24	50	24
VE 36 FH	ø12	ø12	ø12	24	24	24
VE 36 KH	—	—	—	—	—	—
VE 36 LH	ø10	ø12	ø12	24	50	50

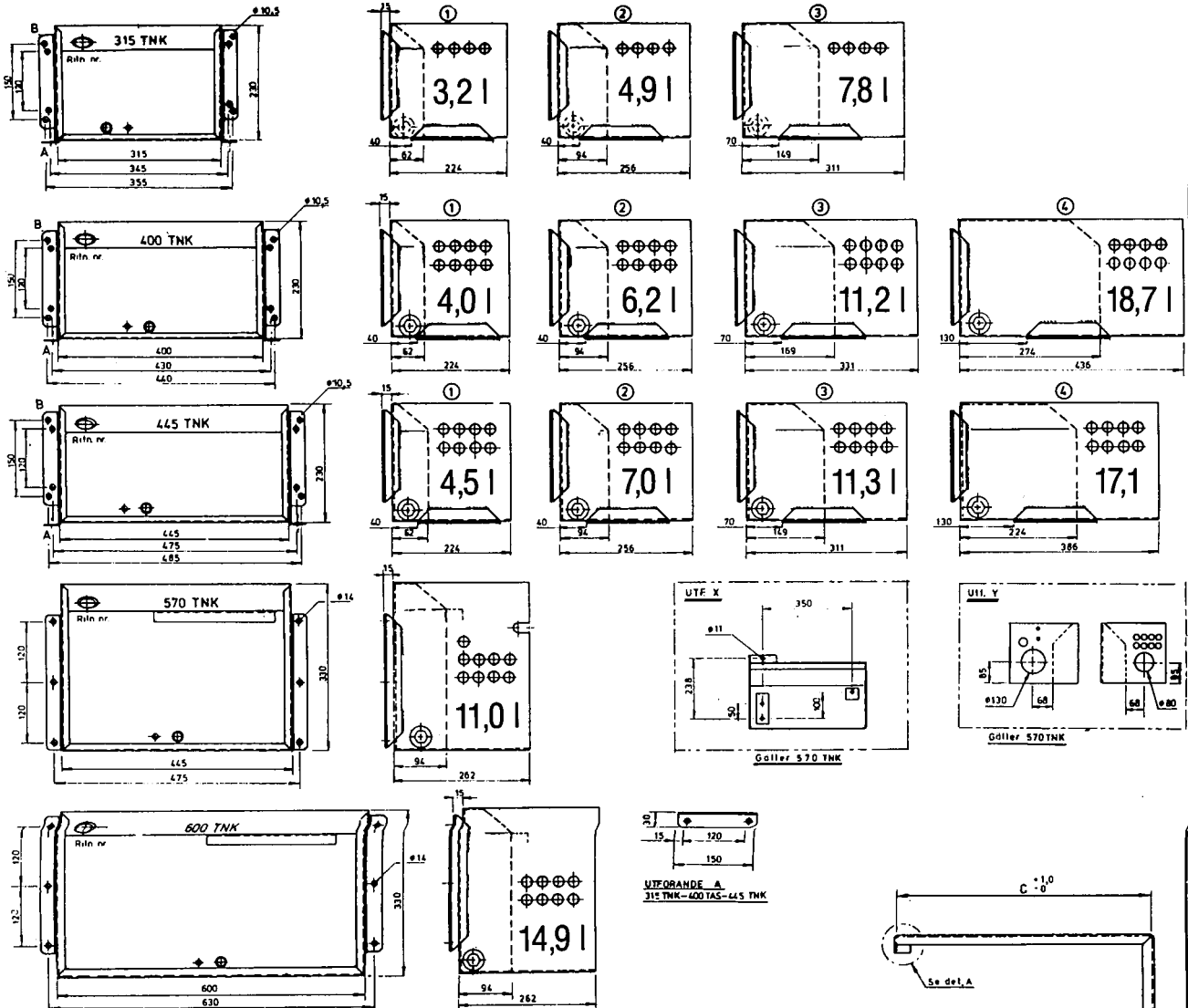
VE 35 H	ø10
VE 35 AH	ø12

VE 30 H	ø12	R 3/8"	R 1/8"
---------	-----	--------	--------

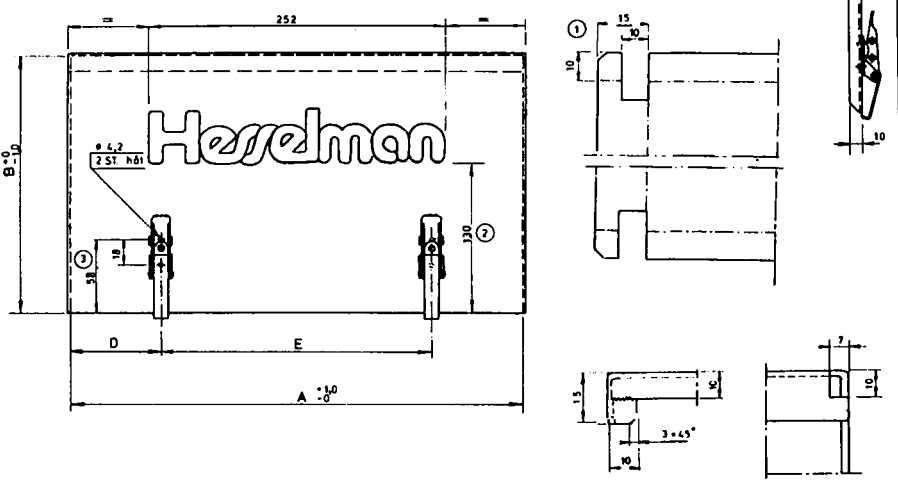


Hydraultank / Reservoir Mod.-87

Note: Reservoir capacity is usable volume.
A is horizontal mounting bracket, B is vertical mounting bracket.

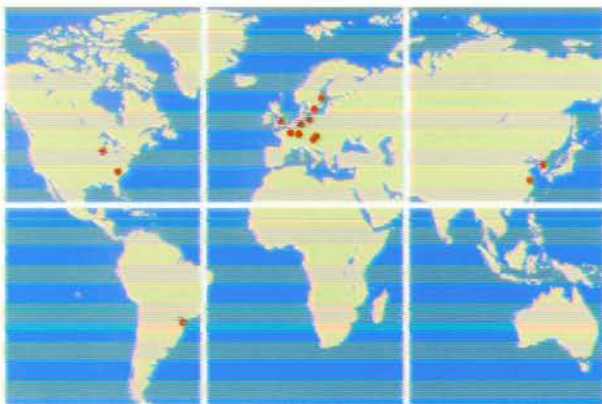


LOCK	TANK	A	B	C	D	E
37001	315 TNK 1	317	230	227	37	240
37002	315 " 2	317	230	259	37	240
37003	315 " 3	317	230	314	37	240
37004	400 " 1	402	230	227	80	240
37005	400 " 2	402	230	259	80	240
37006	400 " 3	402	230	334	80	240
37007	400 " 4	402	230	439	80	240
37008	445 " 1	447	230	227	100	245
37009	445 " 2	447	230	259	100	245
37010	445 " 3	447	230	314	100	245
37011	445 " 4	447	230	389	100	245
37012	570- TNK	447	330	259	100	245
37013	600- TNK	602	330	259	100	400
37800		532	285	310	90	350



Haldex

www.haldex.com



Haldex Hydraulics AB
Nymårsta Gränd 6
Box 511
SE-195 25 MÅRSTA
Sweden
Tel: +46-8 591 288 50
Fax: +46-8 591 288 60
info.hydraulics.eu@haldex.com

Haldex Hydraulics AB
Ringvägen 3
SE-280 40 SK. FAGERHULT
Sweden
Tel: +46-433 324 00
Fax: +46-433 305 46
info.hydraulics.eu@haldex.com

Haldex Hydraulics GmbH
Seligenweg 12
Postfach 1507
DE-95014 HOF
Germany
Tel: +49-9281 895-0
Fax: +49-9281 87133
info.hydraulics.eu@haldex.com

Haldex Hydraulics Corp.
2222 15th Street
ROCKFORD, IL 61104
USA
Tel: +1-815 398 44 00
Fax: +1-815 398 59 77
info.hydraulics.us@haldex.com

Haldex Hydraulics Corp.
214 James Farm Road
Statesville, NC 28625
USA
Tel: +1-704 873 25 87
Fax: +1-704 838 79 89
info.hydraulics.us@haldex.com

Haldex is an innovator in vehicle technology and supplies proprietary systems and components for trucks, cars and industrial vehicles worldwide. Haldex is listed on the Stockholm Stock Exchange and has yearly sales exceeding 7,1 billion Swedish Krona with 4,400 employees (www.haldex.com).

Haldex is an innovator in vehicle technology and supplies proprietary systems and components for trucks, cars and industrial vehicles worldwide. Haldex is listed on the Stockholm Stock Exchange and has yearly sales exceeding 7,1 billion Swedish Krona with 4,400 employees (www.haldex.com).

PRODUCT RANGE

HE Powerpacks
12/24/48 VDC 0.3 – 4.5 kW and
0.75 – 3 kW AC modular power packs

HB Powerpacks
12/24 VDC compact powerpacks

Pressure Switches
5 – 350 bar, connecting/
disconnecting

HE Box Powerpacks
12/24/48 VDC modular
powerpacks in weatherproof
boxes

W100 Hydraulic pumps
0.5 – 2.0 cc 227 bar

W300 Hydraulic pumps
0.8 – 5.7 cc 230 bar

W600 Hydraulic pumps
3 – 12 cc 276 bar

WM600 Hydraulic motors
3 – 12 cc 276 bar

W900 Hydraulic pumps
5 – 31 cc/section 276 bar

WM900 Hydraulic motors
5 – 31 cc/section 276 bar

WQ900 The quiet pump
5 – 23 cc/section 230 bar

W1500 Hydraulic pumps
19 – 50 cc/section 276 bar

WM1500 Hydraulic motors
19 – 50 cc/section 276 bar

GPA Internal Gear pumps
1.7 – 63 cc/section 100 bar

GC Hydraulic pumps
1.06 – 11.65 cc/section 275 bar

II-Stage Hydraulic pumps
4.2 – 22.8 cc/section 275 bar

Rotary Flow Dividers
3.8 – 13.3 cc/section 300 bar

G20/G30 (LS) Hydraulic pumps
23 – 161 cc/section 275 bar

Transmission pumps

Closed Crankcase Ventilation

EGR pumps

Fuel pumps