

The DC motor is of S2/S3 duty, which can only be worked intermittently.

The dc motor and the solenoid valve should be activated simultaneously. It is forbidden to run the motor alone.

Mount this power pack horizontally.

Check the oil level in the tank after the first start of the power unit and filling of the application.

Change the oil after the first 100 hours of using the power unit, then change the oil every 3000 hours.

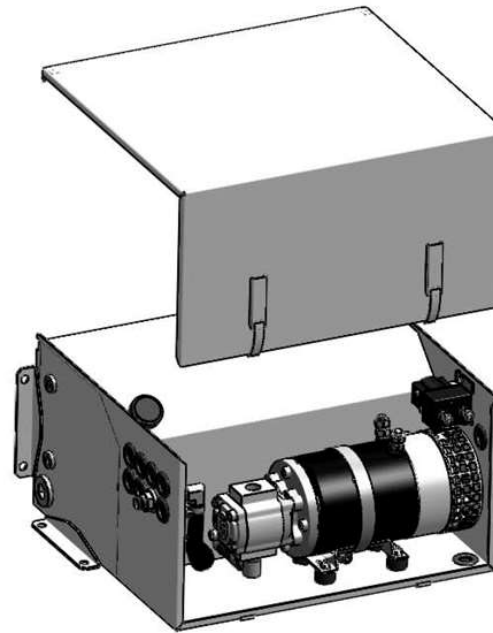
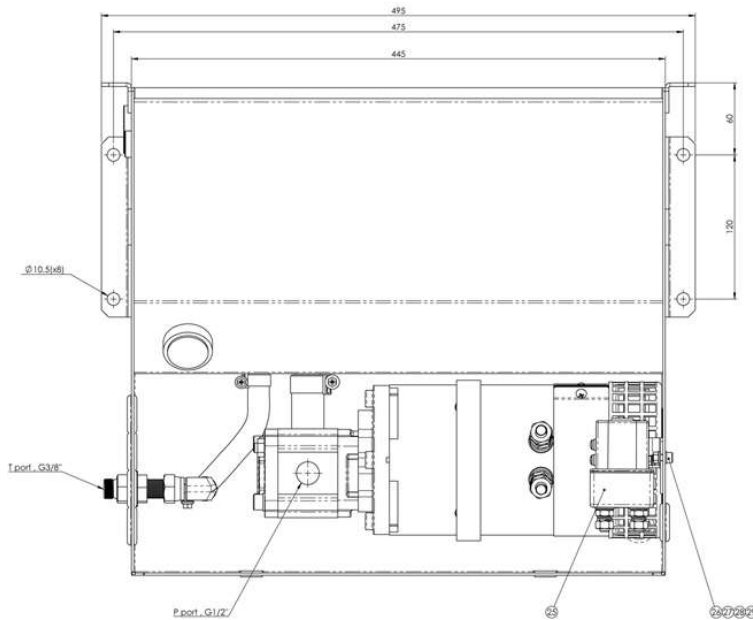
Hydraulic Fluid: use only ISO 6743/4 (DIN 51519) mineral base fluids, new and filtered before use (25µ).

Order code example

7199-24-3-2-G

24V HF-G-tank

Pump 2032



WARNING

This power unit does not contain devices which protects users from the effect of sudden loss of pressure in hydraulic cylinders.

It is responsibility of the user to ensure the conformity of the installation with the local safety and health regulations, including a safety risk assessment.

It is prohibited to utilise the machine in which this product has been integrated before the former has been certified as complying with the conditions of machines guideline.

Tank type	code	L	Usable volume
HF G-tank	G	426	16L
HF B-tank	B	338	9.6L

Other tanks available (see tank section of catalog)

Pump part nr.	code	specification	flow at 180 bar (l/m)*	flow at 120 bar (l/m)*	Pos.17 Screw
2017	1.7	pump 1.7ccm/rev	5.2	5.5	mc6s8x75
2022	2.2	pump 2.2ccm/rev	6.4	6.8	mc6s8x80
2026	2.6	pump 2.6ccm/rev	7.2	7.9	mc6s8x80
2032	3.2	pump 3.2ccm/rev	8.4	9.4	mc6s8x90
2043	4.3	pump 4.3ccm/rev	10.1	11.7	mc6s8x90
2050	5.0	pump 5.0ccm/rev	10.8	13	mc6s8x95

other sizes available on request

* nominal performance, real values may differ in practical use.

No.	Name	Part no.	Description	QTY.
1	Hose fitting	SV HB 06		1
2	Flat washer	16 DIN 125A/ISO7089		2
3	Press nipple	PN 10 ABK 90		1
4	Tank	See tank list		1
5	Motor	1624-2		1
6	Vibration damper	VD15		4
7	Flat washer	6 DIN125A/ISO7089		8
8	Self-locking nut	M6 DIN985		8
9	Clamp	HF 1098		1
10	Screw	mc6s8x50		1
11	Motor bracket	48001		1
12	Pump	See pump list		1
13	Suction elbow	2001-43		1
14	Suction hose	3/4" ISO 7840 A2	0.065m	1
15	Hose clamp	SK-027-12		2
16	Suction filter	5113		1
17	Screw	See pump list		2
18	Spring washer	8 DIN127B		2
19	Return hose	3/8" ISO 7840 A2	0.25m	1
20	Hose clamp	SK-022-09		2
21	Plug	M33		1
22	Plug	G3/8		2
23	Rubber bushing	5001		10
24	Breathing cap	5112		1
25	Start switch	3724		1
26	Screw	mc65x12		2
27	Flat washer	5 DIN125A/ISO7089		4
28	Spring washer	5 DIN127B		2
29	Nut	M5		2



The Power Pack

Number: HF 7199

Rev

Rev	Change	Date	Sign.	No.

Note: There might be minor dimensional and cosmetic differences between drawing and supplied products.